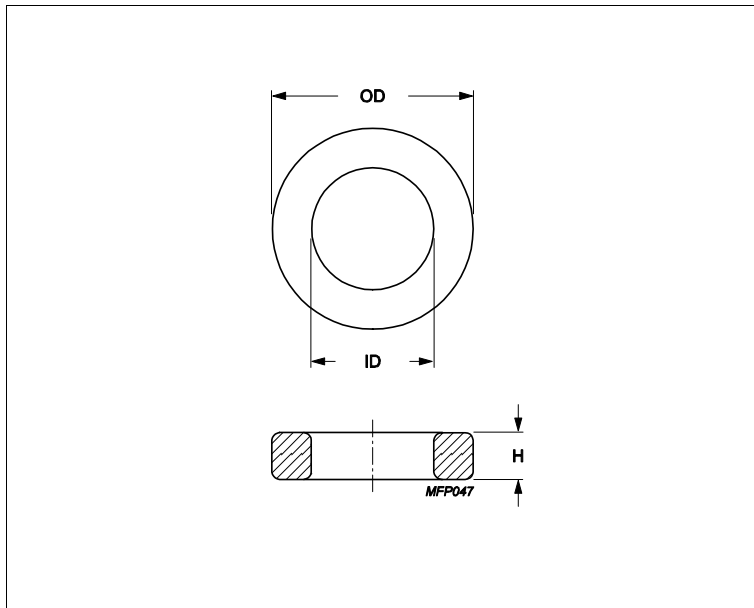


Core **Toroid 4.8/2.3/1.3**



Effective parameters			
	Parameter	Value	Unit
$\Sigma(I/A)$	core factor (C1)	6.73	mm ⁻¹
Ve	effective volume	15.5	mm ³
Le	effective length	10.2	mm
Ae	effective area	1.52	mm ²
m	mass of core	≈ 0.09	g/pcs

Epoxy coating DC isolation voltage 1000.

Maximum operating temperature of the coating is 90°C.

Dimensions (mm)

Cores	OD	ID	H	
TC4.8/2.3/1.3	4.95 max	2.2 min	1.37 max	Parylen Coated

Core data

Cores	Material	Al (nH/turns ²)	Al tolerance	$\mu\epsilon$
TC4.8/2.3/1.3	3E27	1030	± 25%	≈ 5500
TC4.8/2.3/1.3	3E6 (3E10-M)	1870	± 30%	≈ 10000