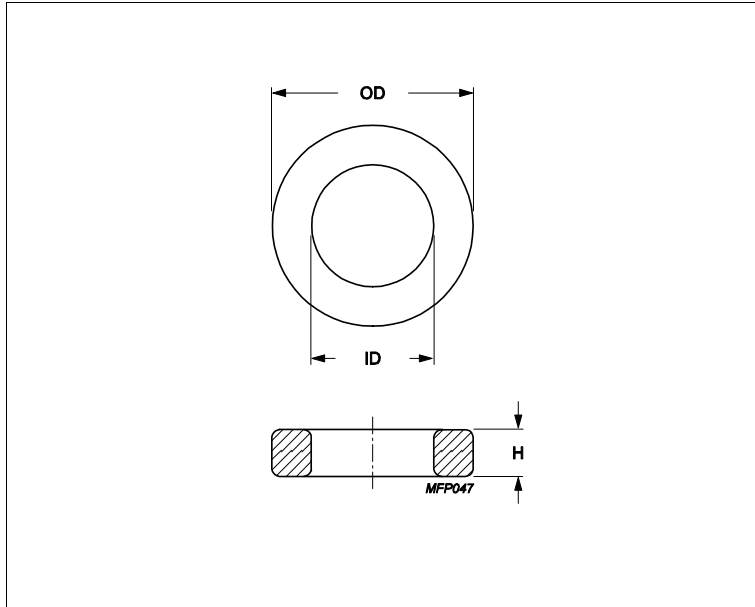


Core **Toroid 6/4/2**



Effective parameters				
	Parameter	Value	Unit	
	$\Sigma(I/A)$	core factor (C1)	7.75	mm ⁻¹
	Ve	effective volume	30.2	mm ³
	Le	effective length	15.3	mm
	Ae	effective area	1.97	mm ²
	m	mass of core	≈ 0.15	g/pcs

Epoxy coating DC isolation voltage 1000.

Maximum operating temperature of the coating is 90°C.

Dimensions (mm)

Cores	OD	ID	H	
TC6/4/2	6.15 max	3.85 min	2.1 max	Parylen Coated

Core data

Cores	Material	AI (nH/turns ²)	AI tolerance	$\mu\epsilon$
TC6/4/2	3E27	891	± 25%	≈ 5500
TC6/4/2	3E6 (3E10-M)	1620	± 30%	≈ 10000