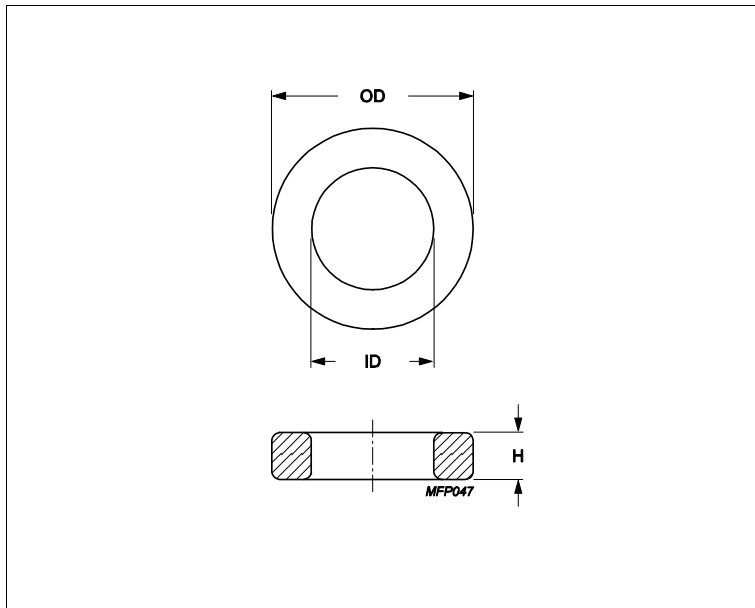


Core **Toroid 9.5/4.8/3.2**



Effective parameters			
	Parameter	Value	Unit
$\Sigma(I/A)$	core factor (C1)	2.98	mm ⁻¹
Ve	effective volume	144	mm ³
Le	effective length	20.7	mm
Ae	effective area	6.95	mm ²
m	mass of core	≈ 0.7	g/pcs

Epoxy coating DC isolation voltage 1000.

Maximum operating temperature of the coating is 90°C.

Dimensions (mm)

Cores	OD	ID	H	
TC9.5/4.8/3.2	9.83 max	4.57 min	3.35 max	Parylen Coated

Core data

Cores	Material	Al (nH/turns ²)	Al tolerance	$\mu\epsilon$
TC9.5/4.8/3.2	3E27	2320	± 25%	≈ 5500
TC9.5/4.8/3.2	3E6 (3E10-M)	4210	± 30%	≈ 10000