

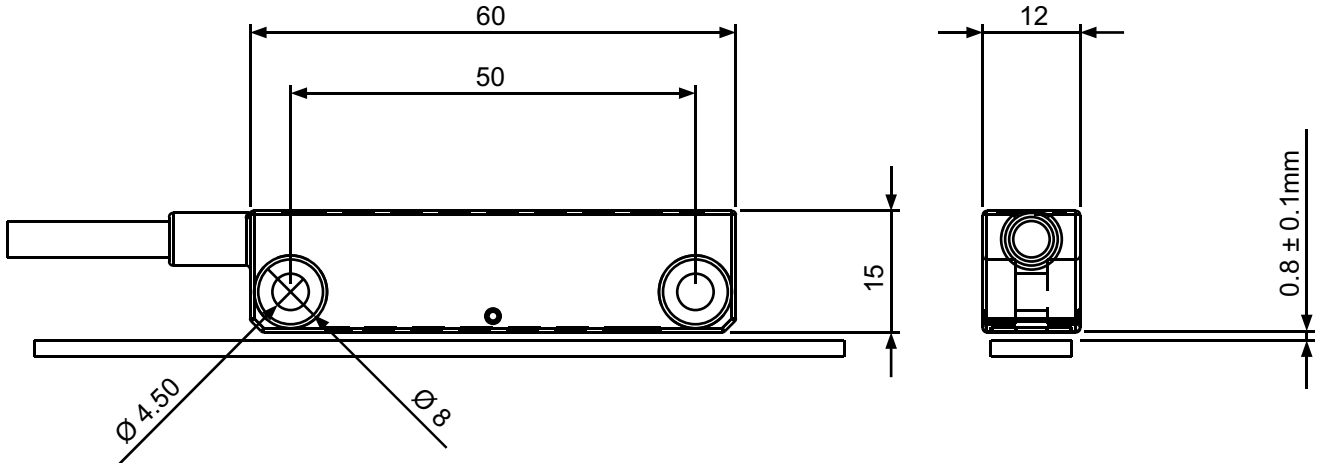
## Magnetic Incremental Encoder ME-6012

# Magnetic Incremental Encoder ME-6012

Contactless measuring sensor unit with integrated digital signal output. In combination with MT series Magnetic Tape Scales, the ME series Magnetic Readheads forms an open, robust linear measuring system.

- ▶ Easy Mounting.
- ▶ Robust metal enclosure.
- ▶ Protection class Ip67
- ▶ Insensitive to dust, humidity, shavings.

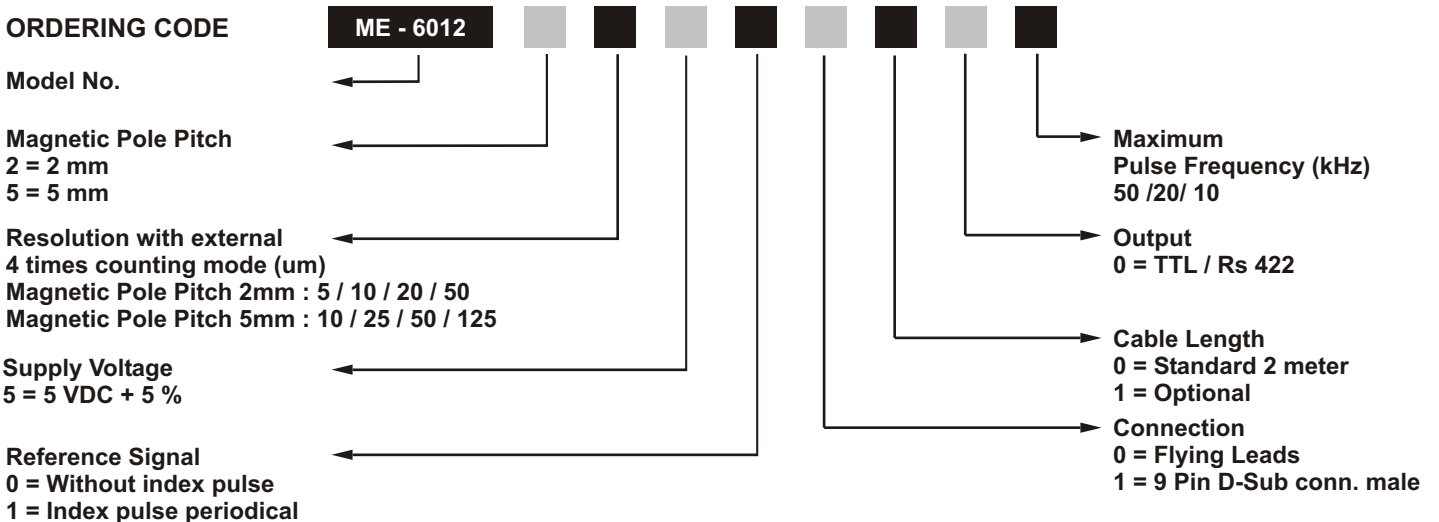
- ▶ No contact, no wear.
- ▶ High Velocity
- ▶ Incremental RS 422 encoder output.



## SPECIFICATIONS

Excitation Voltage	5VDC +/- 5%							
Excitation Current	50 to 300mA, depending on cable length, pulse frequency and load							
Output	Incremental Encoder Output Phase A & B with TTL / RS 422 compatibility							
Magnetic Readhead Period	2mm				5mm			
Linearity ( sensor with Magnetic Tape MT10 )	15um +/- 40um				30um +/- 40um			
Repeatability	+/- 1 count				+/- 1 count			
Resolution with ext. times 4 counting Mode ( um )	5	10	20	50	10	25	50	125
Maximum Velocity with fp=50KHz ( m / s ) ( with fp=20KHz x 0.4 & fp= 10KHz x 0.2 )	0.80	1.60	3.20	8.00	1.60	4.00	8.00	20.00
Maximum Pulse frequency	50KHz, 20KHz, 10KHz ( standard 50KHz )							
Material Of enclosure	Aluminum Alloy die casting							
Weight ( w/o cable & connector )	24 gms							
Protection Class ( EN60529 )	IP67							
Storage Temperature	-20 to 85 degree C							
Operating temperature	0 to 50 degree C							
Electrical connection	Cable 9 wire, dia 6mm, open end cable, 9 pin D-sub connector as option							

### ORDERING CODE



# Magnetic Incremental Encoder ME-6012

## CONNECTOR DETAILS

Connector Pin No.	Wire Colour	Output Signal
1	Yellow	Z (Ref)
2	Orange	/Z (Ref)
3	White	Vcc +5Volt
4	Outer shield	Earth
5	Black & Gray	GND (0 Volt)
6	Red	A
7	Blue	/A
8	Violet	B
9	Brown	/B

Connector:

Optional: standard SUB-B 9-pin male connector