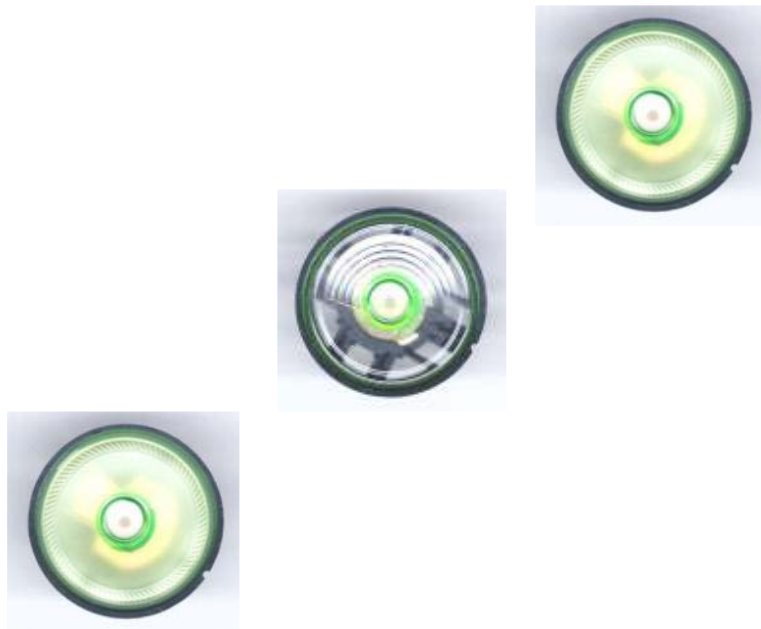


Product overview











LOUDSPEAKERS

- HPFS speaker Ø 28mm
- FLAT speaker Ø 23/34/36/50mm
- FXD speaker Ø 38/50/64mm
- Rectangular speaker 30x14.9, 40x20 & 40x30mm
- Wideband speaker Ø 40, 50 and 52mm
- Audio Power speaker 67x67mm
- Waterproof speaker 103x103mm



March 11

Portfolio : Loudspeakers (1/2)

LOUDSPEAKER MODEL	Picture	Dimension (mm)	Impedance (Ω)	Nom./Max. power (mW)	SPL* @ 1W/1m (dB)	Fo (Hz)	Frequency range (Hz)
HPFS 28 WD11903/Y8H		Ø 28 x 6	8	500/1000	86.5	700	450 - 8000
FLAT 23 OD00902Y..L..		Ø 23 x 4.1	8, 15	200/300	78	550	300 - 10000
FLAT 34 OD02902Y..L..		Ø 34 x 4.1	8, 50	300/500	82	450	200 - 17000
FLAT 36 OC36S05B4 OC36C05B8		Ø 36 x 5.0	4	2000/2200	78	380	380 - 10000
FLAT 50 OC50..Y..		Ø 50 x 7.9	50	500/800	85	350	350 - 3500
FXD 38 OD01621Y..L..		Ø 38 x 14.3	8, 25, 50	300/800	80	440	300 - 10000
FXD 50 OD20621Y..L..		Ø 50 x 16	8, 25, 50	300/800	83	390	300 - 10000
FXD 50 OD20722Y..L..		Ø 50 x 18.2	8, 25, 50	1000/2000	87	390	300 - 10000
FXD 64 OD2071X..		Ø 64 x 19.4	8, 25, 50	1000/2000	86.5	420	420 - 3500
FXD 64 OD2071Z..		Ø 64 x 19.4	8, 25, 50	1000/2000	87	340	340 - 3500

*) calculated for all speakers with nominal power < 1000mW

Portfolio : Loudspeakers (2/2)

LOUDSPEAKER MODEL	Picture	Dimension (mm)	Impedance (Ω)	Nom./Max. power (mW)	SPL* @ 1W/1m (dB)	Fo (Hz)	Frequency range (Hz)
Rectangular 30x14.9 OR3014L05Z4		30 x 14.9 x 5.6	4	1000/1500	78	750	750 - 20000
Rectangular 40x20 OR4020S08Z8		40 x 20 x 8.4	8	1000/2000	80	600	600 - 10000
Rectangular 40x30 OR4030S11Z8		40 x 30 x 11.5	8	2000/3000	79	450	450 - 15000
Wideband OC40S18D4		\varnothing 40 x 18.5	4	2000/4000	75	170	170 - 15000
Wideband OC40C22D4		\varnothing 40 x 22.5	4	1000/2000	78	230	230 - 15000
Wideband OC50S24DxG		\varnothing 50 x 23.5	4,8	2000/4000	82	180	180 - 20000
Wideband OC52S26D8		\varnothing 52 x 26.5	8	3000/5000	81	160	160 - 15000
Audio Power OS66V35A4G		67 x 67 x 35.5	4	2000/4000	82	170	170 - 10000
Waterproof IP65 OS103S37B8W		103 x 103 x 37	8	5000/10000	89	450	450 - 5000

*) calculated for all speakers with nominal power < 1000mW

HPFS Ø 28mm

HPFS (High Performance flat speaker) speaker Ø 28mm :



Specifications :

- **Impedance :** 8Ω
- **Sensitivity :** 86.5dB @ 1W/1m
- **Power Ratio ** :** 0.5W Nom. / 1W Max
- **Resonance Frequency :** 700Hz
- **Frequency Range * :** 450Hz – 8kHz
- **Weight :** 4.9g
- **Thickness :** 6.0mm

*) in typical application, at -3dB points after resonance peaks, without EQ correction

**) using shaped noise signal according to NXP specification sheet

Key features :

- Low Resonance Frequency
- High PHC
- High SPL
- Customized front gasket & rear pad

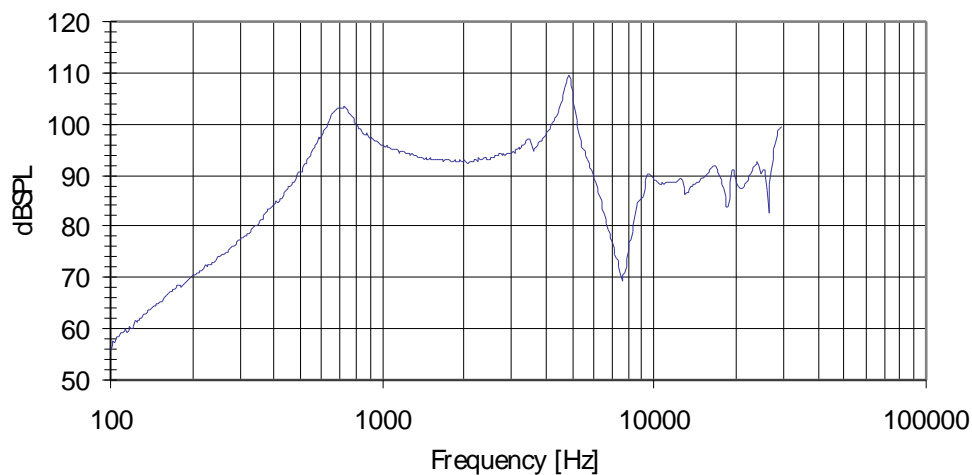
Typical applications :

- Automotive applications : speech, alarm, melodies tones in cars
- PTT phones
- Loud hearing for cordless phones and base stations
- Hands-free applications for 2 band radio, car communication and professional use

Product range :

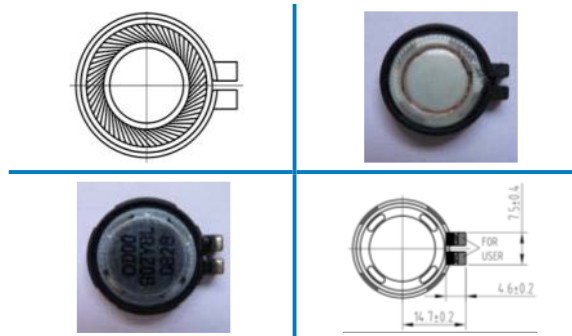
- 2403 258 13022 : with spring contacts (WD11903/Y8H)

Frequency Response : measured in IEC baffle with open back volume (100mW, 10cm)



FLAT speaker Ø 23mm

FLAT speaker Ø 23mm : OD00902Y..L.. :



Specifications :

- Impedance : 8Ω, 15Ω
- Sensitivity : 78dB @ 1W/1m
- Power Ratio ** : 0.2W Nom. / 0.3W Max
- Resonance Frequency : 550Hz
- Frequency Range * : 300Hz – 10kHz
- Weight : 4.5g
- Thickness : 4.1mm

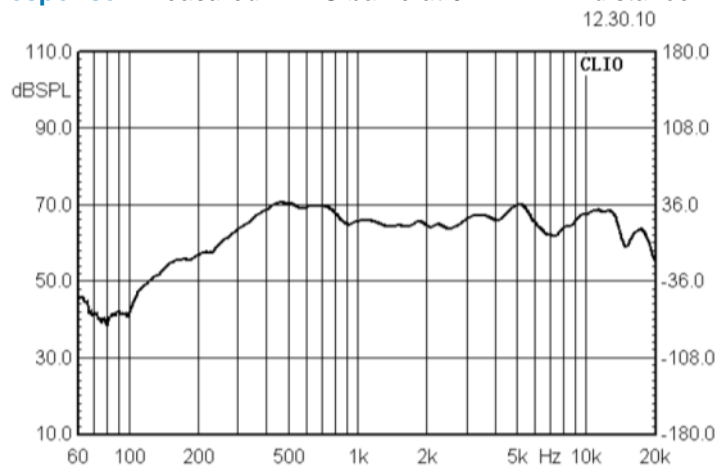
Typical applications :

- For automotive application – Speech/Alarm/Melodie tones in cars
- Loud hearing for cordless phones and base station (e.g. Answering machine)

Product range :

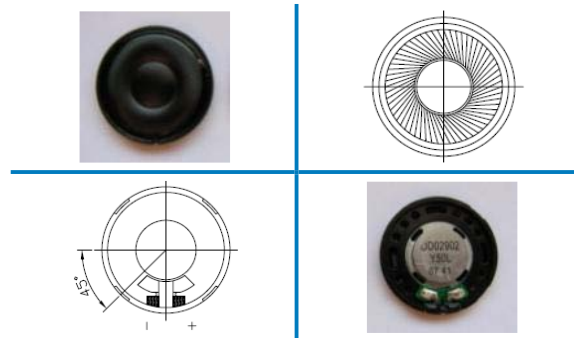
- OD00902Y..L : with solder pads
- **OD00902Y..LCBB** : with solder pads on external block contact & on backside
- OD00902Y..LCBT : with solder pads on external block contact & on membrane side

Frequency Response : measured in IEC baffle at 0.1W in 1m distance



FLAT speaker Ø 34mm

FLAT speaker Ø 34mm : OD02902Y..L.. :



Specifications :

- **Impedance :** 8Ω, 50Ω
- **Sensitivity :** 82dB @ 1W/1m
- **Power Ratio ** :** 0.3W Nom. / 0.5W Max
- **Resonance Frequency :** 450Hz
- **Frequency Range * :** 200Hz – 17kHz
- **Weight :** 5.5g
- **Thickness :** 4.1mm

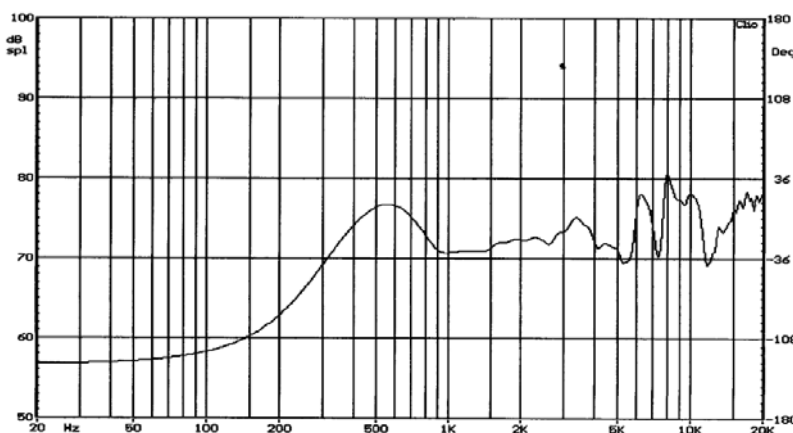
Typical applications :

- For automotive application – Speech/Alarm/Melodie tones in cars
- Loud hearing for cordless phones and base station (e.g. Answering machine)

Product range :

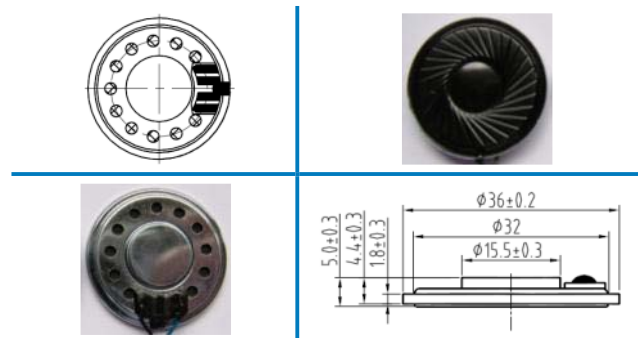
- OD02902Y..L : with solder pads
- OD02902Y..LCBB : with solder pads on external block contact & backside
- **OD02902Y..LCBT** : with solder pads on external block contact & on membrane side

Frequency Response : measured in IEC baffle at 0.1W in 1m distance



FLAT speaker Ø 36mm

FLAT speaker Ø 36mm :



Specifications :

- **Impedance :** 4 Ω , 8 Ω
- **Sensitivity :** 78dB @ 1W/1m
- **Power Ratio ** :** 2W Nom. / 2.2W Max
- **Resonance Frequency :** 380Hz
- **Frequency Range * :** 380Hz – 10kHz
- **Weight :** 10g
- **Thickness :** 5.0mm

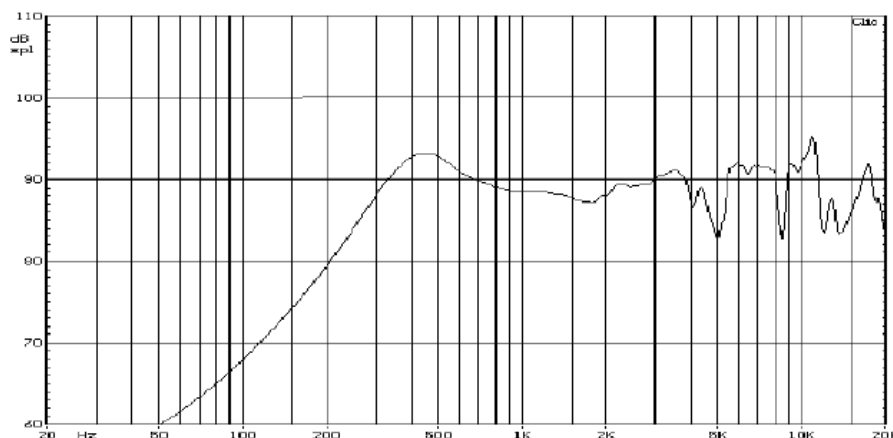
Typical applications :

- Portable Navigation devices
- On board/In-vehicle computers

Product range :

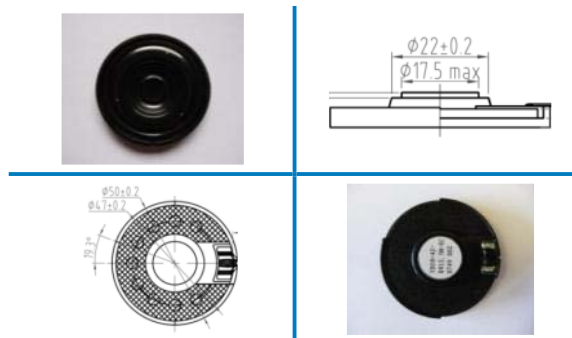
- OC36S05B4 : with solder pads
- OC36C05B8 : with cable & connector (cable length = 35 mm, connector type = PHR-2)

Frequency Response : measured in IEC baffle at 0.1W in 0.1m distance



FLAT speaker Ø 50mm

FLAT speaker Ø 50mm : OC50..Y.. :



Specifications :

- **Impedance :** 50Ω ⁽¹⁾
- **Sensitivity :** 85dB @ 1W/1m
- **Power Ratio ** :** 0.5W Nom. / 0.8W Max
- **Resonance Frequency :** 350Hz
- **Frequency Range * :** 350Hz – 3.5kHz
- **Weight :** 11g
- **Thickness :** 7.9mm

(1) : Other rated impedance possible

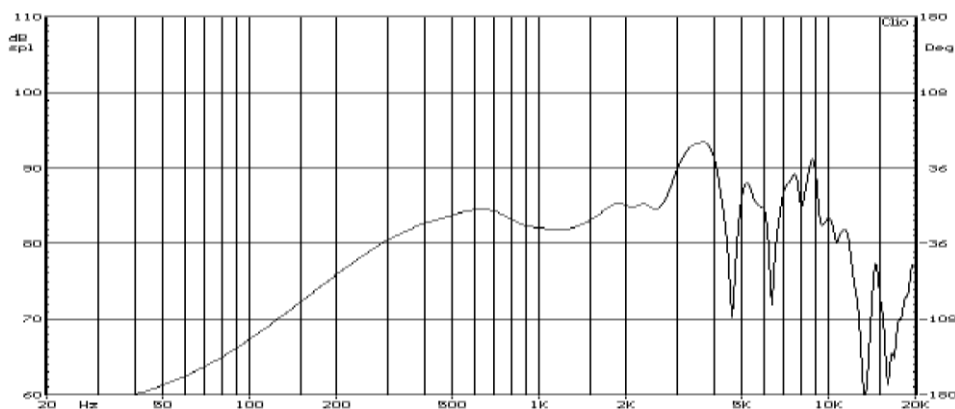
Typical applications :

- For telecom application – Speech/Intercom

Product range :

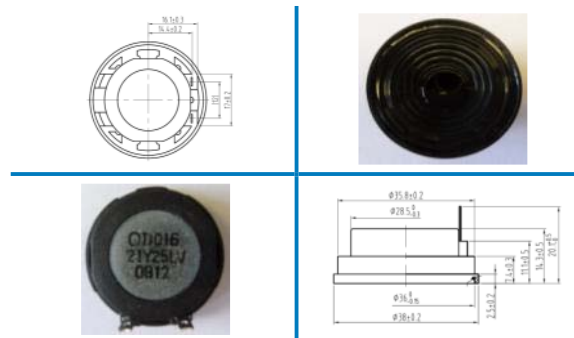
- OC50S07Y50 : with solder pads
- OC50C07Y50 : with cable & connector (cable length = 150 mm, connector type = PHR-2)

Frequency Response : measured in IEC baffle at 0.1W in 1m distance



FXD speaker Ø 38mm

FXD speaker Ø 38mm : OD01621Y..L with round magnet & plastic membrane



Specifications :

- **Impedance :** 8Ω, 25Ω, 50Ω
- **Sensitivity :** 80dB @ 1W/1m
- **Power Ratio ** :** 0.3W Nom. / 0.8W Max
- **Resonance Frequency :** 440Hz
- **Frequency Range * :** 300Hz – 10kHz
- **Weight :** 24g
- **Thickness :** 14.3mm

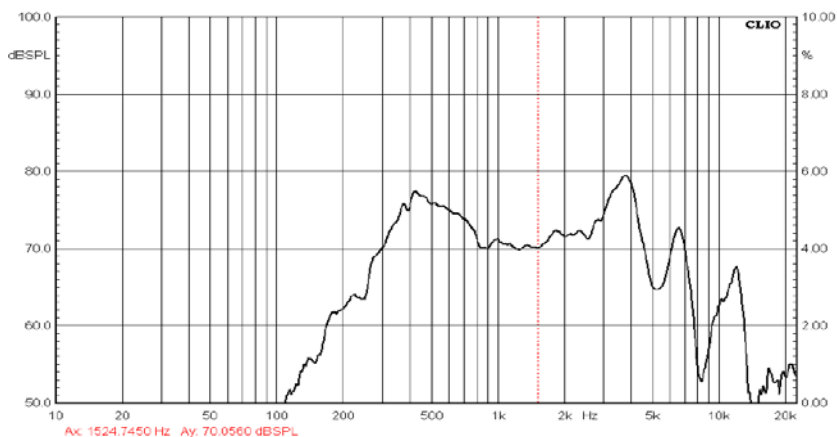
Typical applications :

- Automotive application:
 - Loud hearing in hands free car-kits
 - Temperature range -40°C +85°C
 - ABS Frame
- Loud hearing for conference phones

Product range :

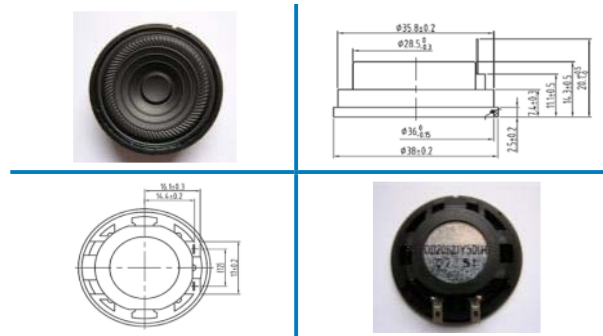
- OD01621Y..LV : with telecom band plastic membrane & vertical solder tags

Frequency Response : measured in IEC baffle at 0.1W in 1m distance



FXD speaker Ø 50mm

FXD speaker Ø 50mm : OD20621Y..L with round magnet & plastic membrane



Specifications :

- **Impedance :** 8Ω, 25Ω, 50Ω
- **Sensitivity :** 83dB @ 1W/1m
- **Power Ratio ** :** 0.3W Nom. / 0.8W Max
- **Resonance Frequency :** 390Hz
- **Frequency Range * :** 300Hz – 10kHz
- **Weight :** 30g
- **Thickness :** 16mm

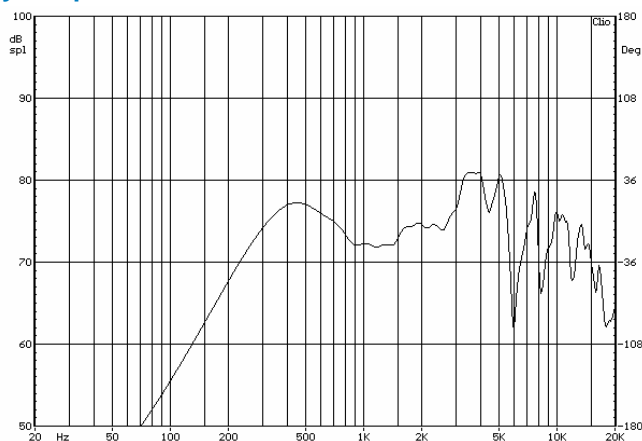
Typical applications :

- Automotive application:
 - Loud hearing in hands free car-kits
 - Temperature range -40°C +85°C
 - ABS Frame
- Loud hearing for conference phones

Product range :

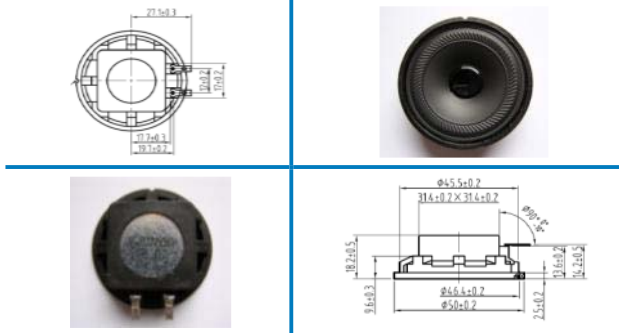
- OD20621Y..LH : with telecom band plastic membrane & horizontal solder tags

Frequency Response : measured in IEC baffle at 0.1W in 1m distance



FXD speaker Ø 50mm

FXD speaker Ø 50mm : OD20722.. with square magnet & plastic membrane



Specifications :

- **Impedance :** 8Ω, 25Ω, 50Ω
- **Sensitivity :** 87dB @ 1W/1m
- **Power Ratio ** :** 1W Nom. / 2W Max
- **Resonance Frequency :** 390Hz
- **Frequency Range * :** 300Hz – 10kHz
- **Weight :** 47g
- **Thickness :** 18.2mm

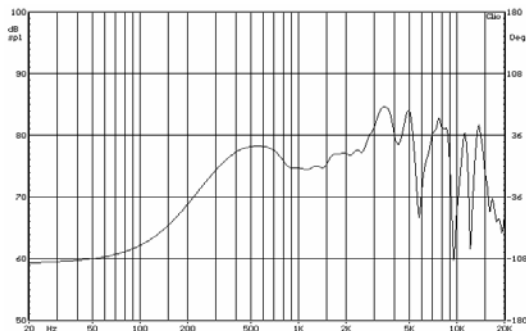
Typical applications :

- Automotive application:
 - Loud hearing in hands free car-kits
 - Temperature range -40°C +85°C
 - ABS Frame
- Loud hearing for conference phones

Product range :

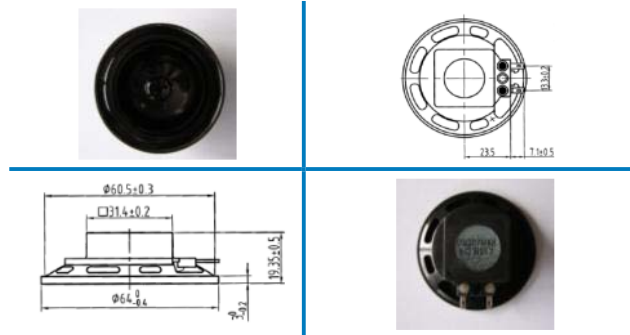
- OD20722X..CH : with large band compound plastic membrane & horizontal solder tags
- OD20722X..CV : with large band compound plastic membrane & vertical solder tags
- OD20722Y..LH : with telecom band plastic membrane & horizontal solder tags
- OD20722Y..LV : with telecom band plastic membrane & vertical solder tags

Frequency Response : measured in IEC baffle at 0.1W in 1m distance



FXD speaker Ø 64mm

FXD speaker Ø 64mm : OD2071X.. with square magnet & plastic membrane



Specifications :

- **Impedance :** 8Ω, 25Ω, 50Ω
- **Sensitivity :** 86.5dB @ 1W/1m
- **Power Ratio ** :** 1W Nom. / 2W Max
- **Resonance Frequency :** 420Hz
- **Frequency Range * :** 420Hz – 3.5kHz
- **Weight :** 50g
- **Thickness :** 19.4mm

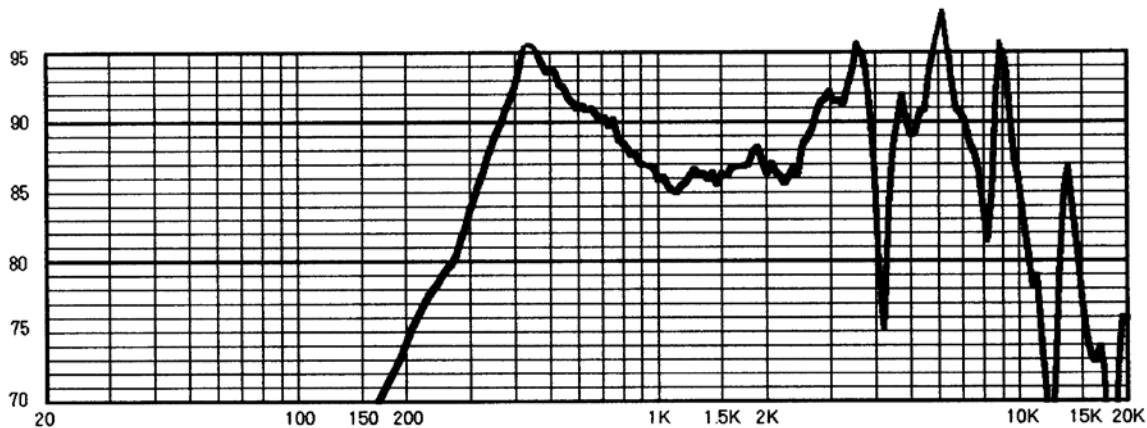
Typical applications :

- Corded phone
- Intercom
- Industrial
- Medical

Product range :

- OD2071X..H : with large band plastic membrane & horizontal solder tags
- OD2071X..V : with large band plastic membrane & vertical solder tags

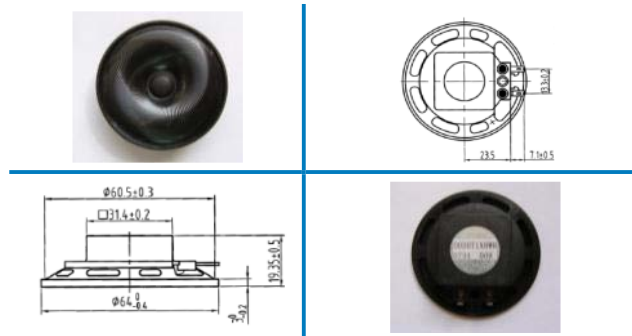
Frequency Response : measured in IEC baffle at 0.1W in 0.5m distance



OD2071X50

FXD speaker Ø 64mm wideband

FXD speaker Ø 64mm wideband : OD2071X..WB with square magnet & plastic membrane



Specifications :

- **Impedance :** 8Ω, 25Ω, 50Ω
- **Sensitivity :** 86.5dB @ 1W/1m
- **Power Ratio ** :** 1W Nom. / 2W Max
- **Resonance Frequency :** 280Hz
- **Frequency Range * :** 280Hz – 10kHz
- **Weight :** 50g
- **Thickness :** 19.4mm

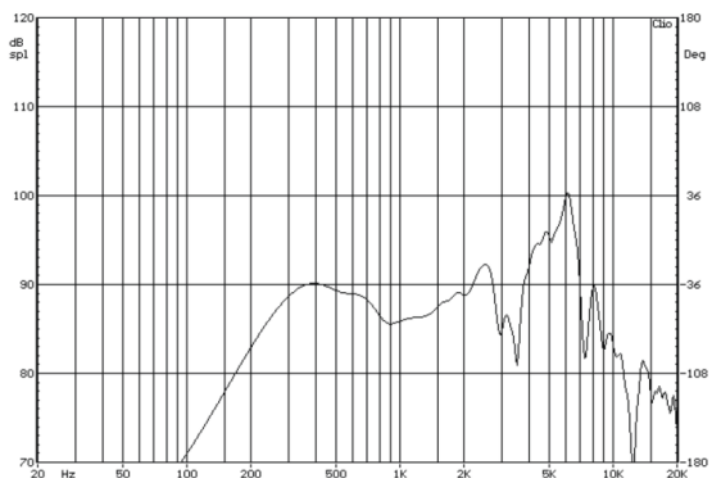
Typical applications :

- Corded phone
- Intercom
- Industrial
- Medical

Product range :

- OD2071X..WB : with wide band plastic membrane & vertical solder tags

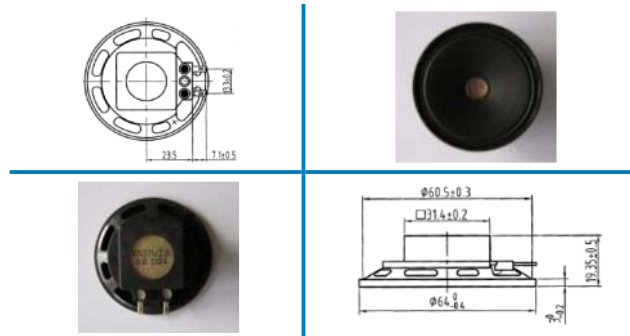
Frequency Response : measured in IEC baffle at 0.1W in 1m distance



OD2071X50WB

FXD speaker Ø 64mm

FXD speaker Ø 64mm : OD2071Z.. with square magnet & paper membrane



Specifications :

- Impedance : 8Ω, 25Ω, 50Ω
- Sensitivity : 87dB @ 1W/1m
- Power Ratio ** : 1W Nom. / 2W Max
- Resonance Frequency : 340Hz
- Frequency Range * : 340Hz – 10kHz
- Weight : 50g
- Thickness : 19.4mm

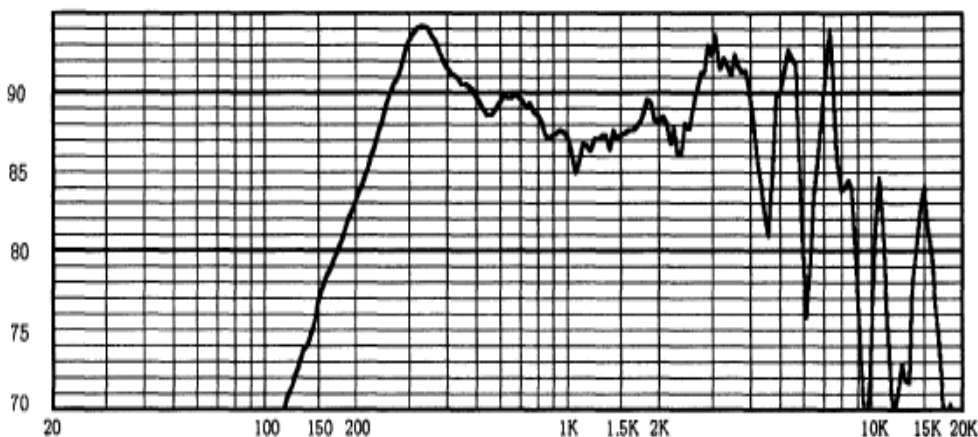
Typical applications :

- Corded phone
- Intercom
- Industrial
- Medical

Product range :

- OD2071Z..H : with paper membrane & horizontal solder tags
- OD2071Z..V : with paper membrane & vertical solder tags

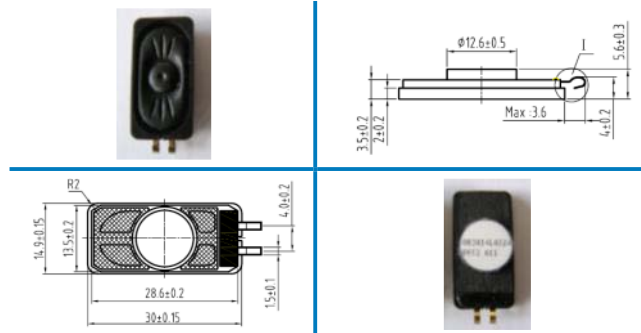
Frequency Response : measured in IEC baffle at 0.1W in 0.5m distance



OD2071Z25

Rectangular speaker 30 x 14.9mm

Rectangular speaker 30 x 14.9mm :



Specifications :

- Impedance : 4 Ω
- Cone material : Cloth
- Edge : Cloth
- Sensitivity : 78dB @ 1W/1m
- Power Ratio ** : 1W Nom. / 1.5W Max
- Resonance Frequency : 750Hz
- Frequency Range * : 750Hz – 20kHz
- Weight : 2.8g
- Thickness : 5.6mm

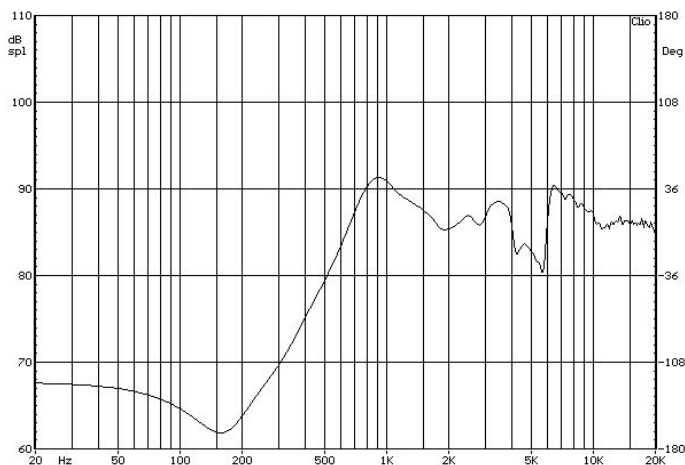
Typical applications :

- Portable Navigation devices
- On board/In-vehicle computers

Product range :

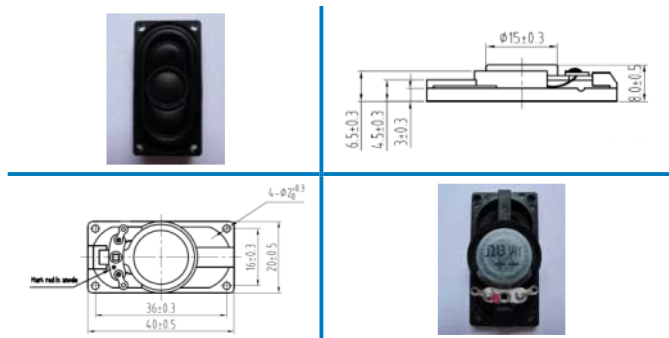
- OR3014L05Z4 : with spring contacts

Frequency Response : measured in IEC baffle at 1W in 0.1m distance



Rectangular speaker 40 x 20mm

Rectangular speaker 40 x 20mm :



Specifications :

- Impedance : 8Ω
- Cone material : Cloth
- Edge : Cloth
- Sensitivity : 80dB @ 1W/1m
- Power Ratio ** : 1W Nom. / 2W Max
- Resonance Frequency : 600Hz
- Frequency Range * : 600Hz – 10kHz
- Weight : 7.2g
- Thickness : 8.4mm

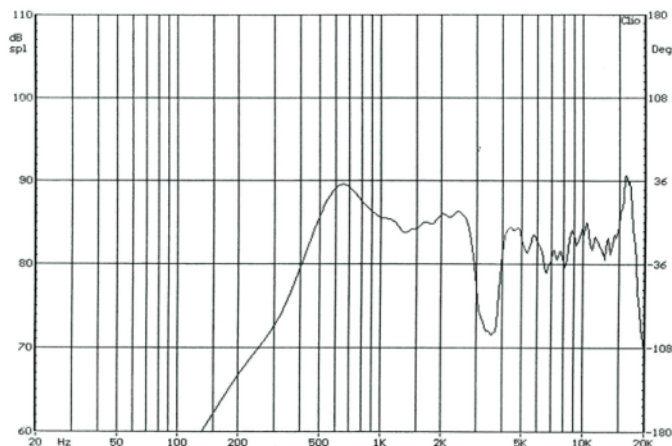
Typical applications :

- Portable Navigation devices
- On board/In-vehicle computers

Product range :

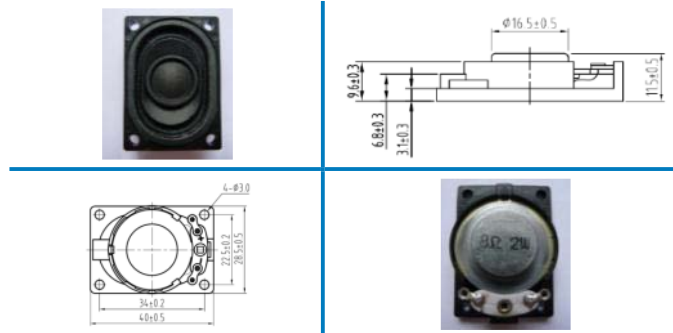
- OR4020S08Z8 : with solder pads
- OR4020C08Z8-1 : with cable & connector (cable length = 360 mm, connector type = PHR-2)

Frequency Response : measured in IEC baffle at 1W in 0.5m distance



Rectangular speaker 40 x 30mm

Rectangular speaker 40 x 30mm :



Specifications :

- Impedance : 4Ω, 8Ω
- Cone material : Paper
- Edge : Cloth
- Sensitivity : 79dB @ 1W/1m
- Power Ratio ** : 2W Nom. / 3W Max
- Resonance Frequency : 450Hz
- Frequency Range * : 450Hz – 15kHz
- Weight : 13.5g
- Thickness : 11.5mm

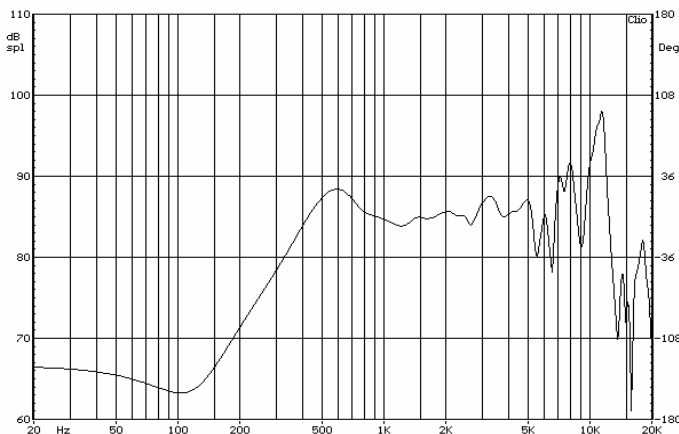
Typical applications :

- Portable Navigation devices
- On board/In-vehicle computers

Product range :

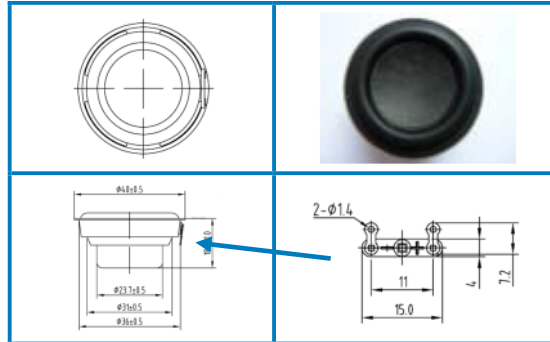
- OR4030S11Z8 : with impedance = 8Ω and solder pads
- OR4030S11Z4 : with impedance = 4Ω, solder pads and temperature range = -40°C to +85°C

Frequency Response : measured in IEC baffle at 1W in 0.5m distance



Wideband speaker Ø 40mm

Wideband speaker Ø 40mm : OC40S18D4 :



Specifications :

- Impedance : 4Ω
- Sensitivity : 75dB @ 1W/1m
- Power Ratio ** : 2W Nom. / 4W Max
- Resonance Frequency : 170Hz
- Frequency Range * : 180Hz – 15kHz
- Weight : 36g
- Thickness : 18.5mm

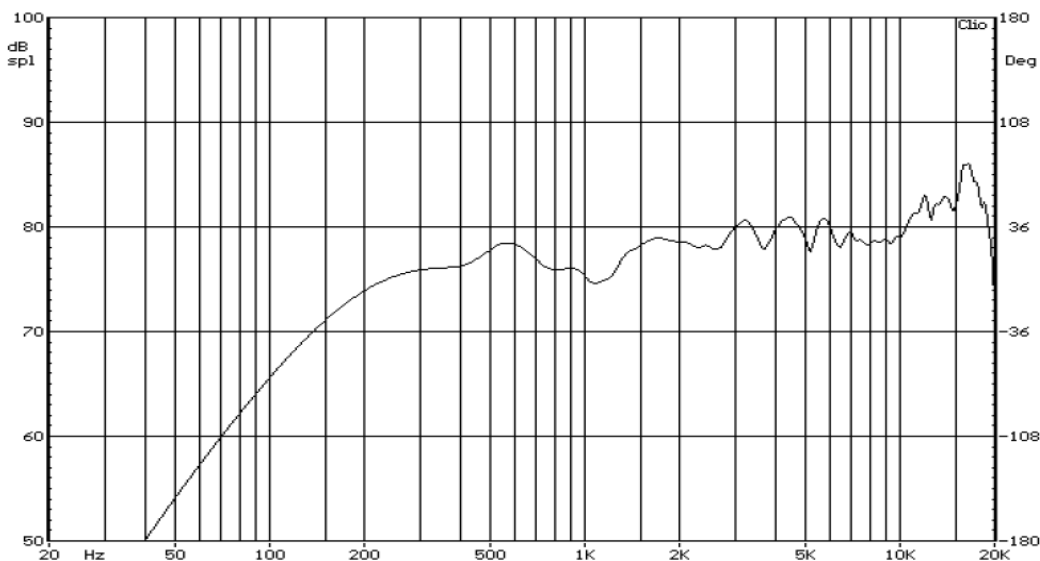
Typical applications :

- Conference call systems

Product range :

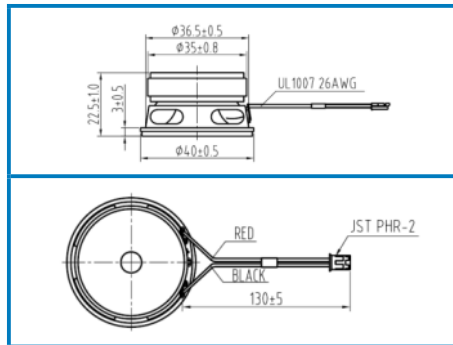
- OC40S18D4 : with solder tags

Frequency Response : measured in IEC baffle at 0.25W in 0.5m distance



Wideband speaker Ø 40mm

Wideband speaker Ø 40mm : OC40C22D4



Specifications :

- **Impedance :** 4Ω
- **Sensitivity :** 78dB @ 1W/1m
- **Power Ratio ** :** 1W Nom. / 2W Max
- **Resonance Frequency :** 230Hz
- **Frequency Range * :** 230Hz – 15kHz
- **Weight :** 45g
- **Thickness :** 22.5mm

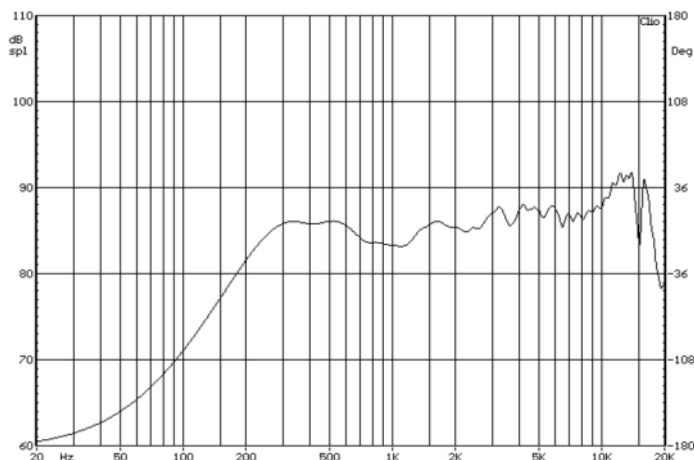
Typical applications :

- IP phone
- IP radio
- Multimedia

Product range :

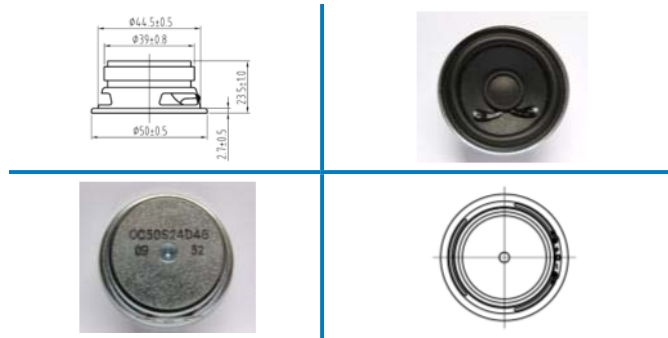
- OC40S22D4 : with solder pads
- OC40C22D4 : with cable & connector (cable length = 130 mm, connector type = PHR-2)

Frequency Response : *measured in IEC baffle at 1W in 0.5m distance*



Wideband speaker Ø 50mm

Wideband speaker Ø 50mm : OC50S24DxG



Specifications :

- **Impedance :** 4Ω, 8Ω
- **Sensitivity :** 82dB @ 1W/1m
- **Power Ratio ** :** 2W Nom. / 4W Max
- **Resonance Frequency :** 180Hz
- **Frequency Range * :** 180Hz – 20kHz
- **Weight :** 77g
- **Thickness :** 23.5mm

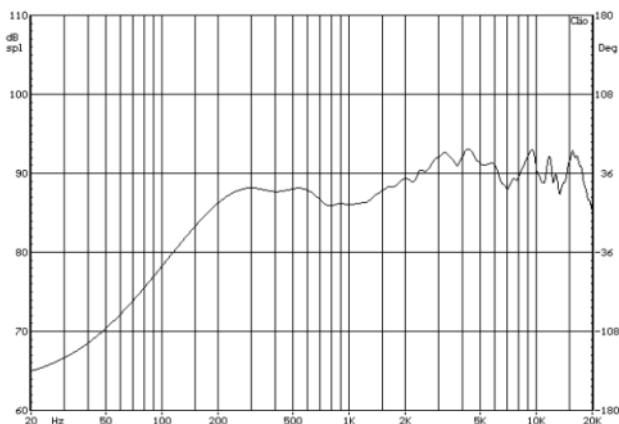
Typical applications :

- IP phone
- IP radio
- Multimedia

Product range :

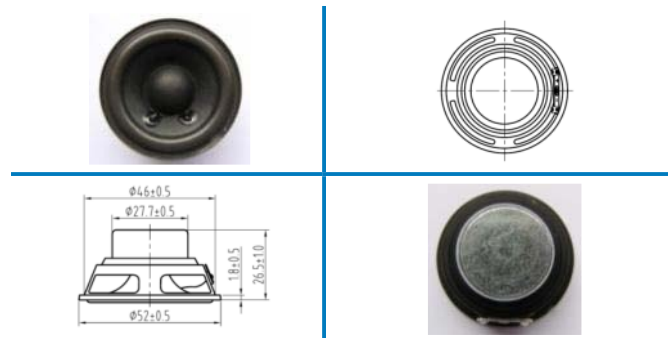
- OC50S24D4G : with 4 Ohm impedance, wideband paper membrane, metal basket & solder tags
- OC50S24D8G : with 8 Ohm impedance, wideband paper membrane, metal basket & solder tags

Frequency Response : measured in IEC baffle at 1W in 0.5m distance



Wideband speaker Ø 52mm

Wideband speaker Ø 52mm : OC52S26D8



Specifications :

- Impedance : 8Ω
- Sensitivity : 81dB @ 1W/1m
- Power Ratio ** : 3W Nom. / 5W Max
- Resonance Frequency : 160Hz
- Frequency Range * : 160Hz – 15kHz
- Weight : 75g
- Thickness : 26.5mm

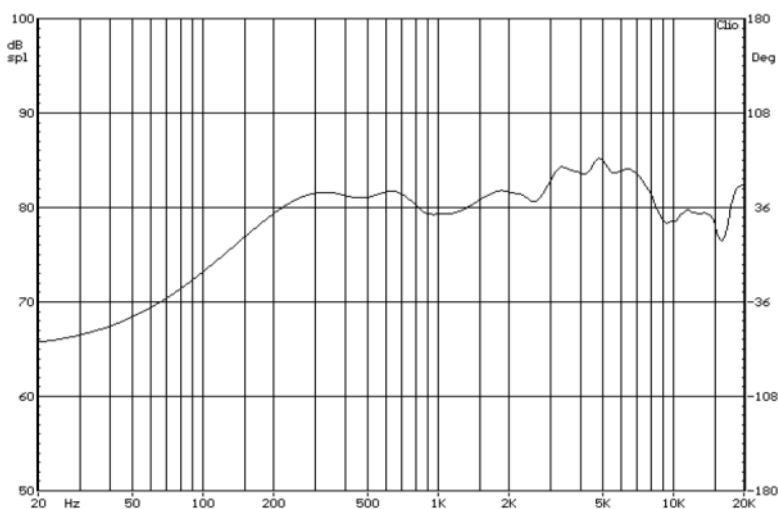
Typical applications :

- IP phone
- IP radio
- Multimedia

Product range :

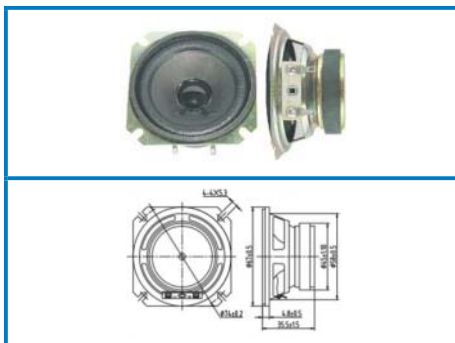
- OC52S26D8 : with wideband paper membrane, metal basket and solder tags

Frequency Response : measured in IEC baffle at 1W in 1m distance



Audio Power speaker 67 x 67mm

Audio Power speaker 67 x 67mm :



Specifications :

- Impedance : 4Ω
- Cone material : Paper
- Edge : Cloth
- Sensitivity : 82dB @ 1W/1m
- Power Ratio ** : 2W Nom. / 4W Max
- Resonance Frequency : 170Hz
- Frequency Range * : 170Hz – 10kHz
- Weight : 126g
- Thickness : 35.5mm

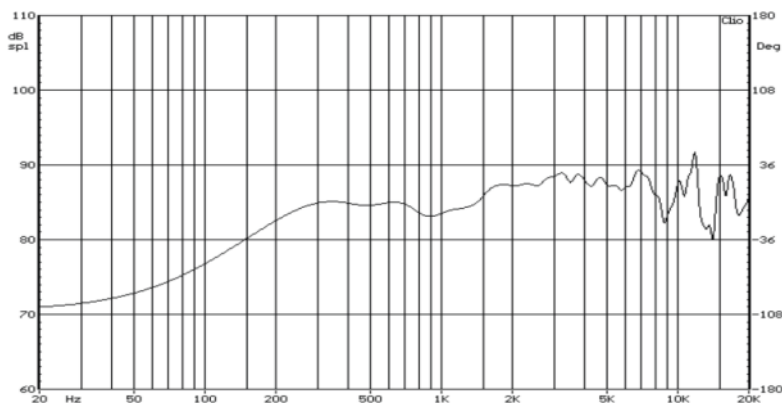
Typical applications :

- Web radio
- Sound box
- Multimedia
- General audio

Product range :

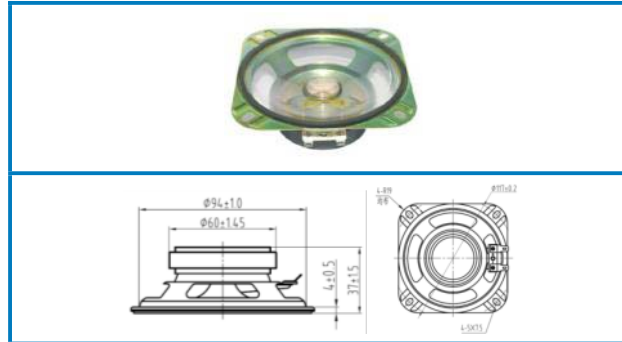
- OS66V35A4G : with solder tags

Frequency Response : *measured in IEC baffle at 1W in 1m distance*



Waterproof speaker 103 x 103mm

Waterproof speaker 103 x 103mm : **IP65 compliant**



Specifications :

- Impedance : 8Ω
- Cone material : Mylar
- Edge : Mylar
- Sensitivity : 89dB @ 1W/1m
- Power Ratio ** : 5W Nom. / 10W Max
- Resonance Frequency : 450Hz
- Frequency Range * : 450Hz – 5kHz
- Weight : 290g
- Thickness : 37mm

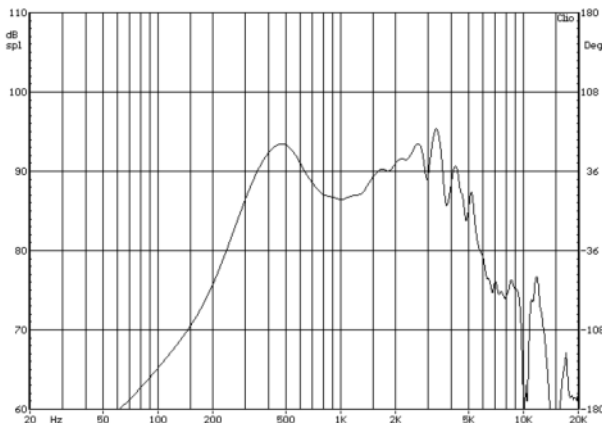
Typical applications :

- Waterproof applications
- Outdoor applications like intercoms, access control systems, door entry systems, public address systems etc.
- Suitable also for siren/alarm applications

Product range :

- OS103S37B8W : with solder pads

Frequency Response : *measured in IEC baffle at 1W in 1m distance*



If you have any other waterproof speaker requirement, please do not hesitate to ask for our complete waterproof range

**Megatron AG
Fabrikstrasse 2
CH - 8722 Kaltbrunn**

**www.megatron.ch
sales@megatron.ch
Tel.: +41 (0) 55 617 00 88
Fax: +41 (0) 55 617 00 89**