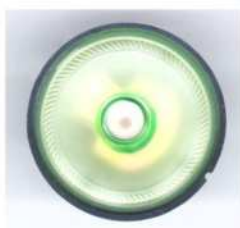
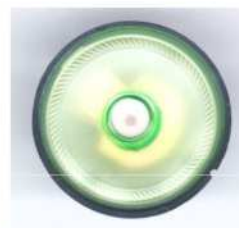


Telecom Speakers

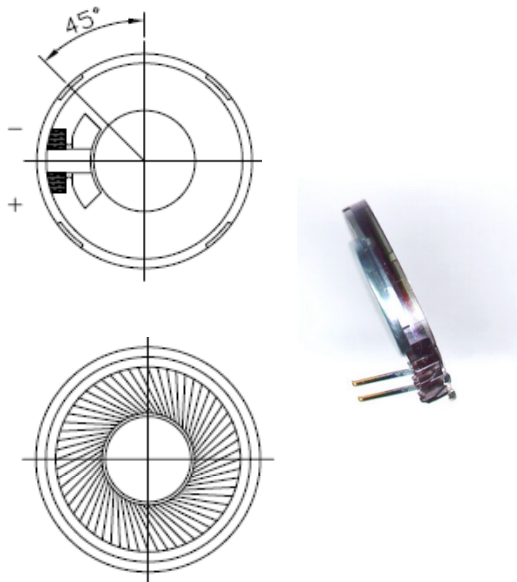
PRODUCT OVERVIEW

- FLAT speaker Ø 34 mm
- MFXD speaker Ø 38/50 mm (round and square)
- Speaker Ø 64 mm



FLAT speaker Ø 34 mm

FLAT speaker
 - Ø 34 mm : OD029../...



Size: 34 mm	
Impedance	8/32/50Ω
Sensitivity	82dB* 1W/1m
Power Ratio	0,3W Nom.* / 0.5W Max.*
Resonance Freq.	380Hz-550Hz*
Sine Sweep	n.a.
Freq. Range	200-17kHz*
Weight	5.5g*
Contact types	Solder **
Thickness	4,1mm

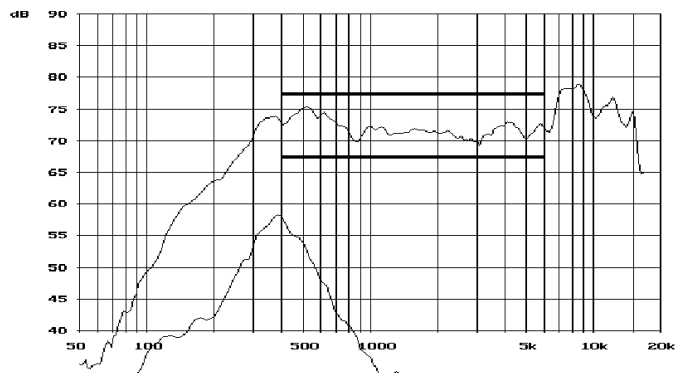
*) Typ specific

***) Spring on demand for high volumes

Typical applications

- For automotive application – Speech/Alarm/Melodies tones in cars
- Loud hearing for cordless phones and base station (e.g. Answering machine)

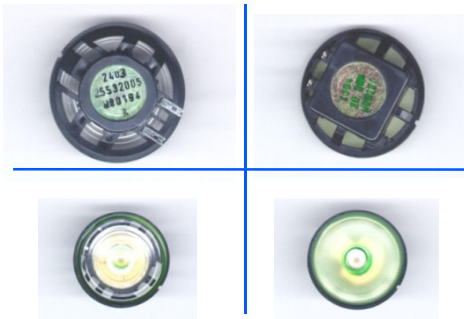
Frequency Response



MFXD speaker Ø 38/50 mm

MFXD speaker :

- Ø 38 mm x 14.3 mm : OD01621Y...
- Ø 50 mm x 16 mm : OD20621Y..
- Ø 50 mm x 18.2 mm : OD20722Y..



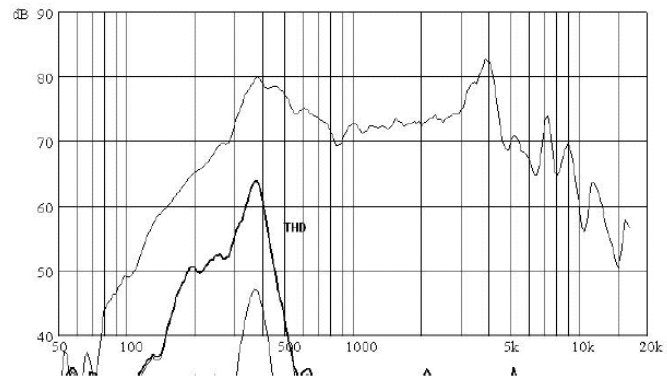
Size: **38x14,3 / 50x16 / 50x18,2 mm**

Impedance	8/20/25/50 Ω
Sensitivity	81,5-86dB 1W/1m
Power Ratio	0,3W Nom. / 0,8W Max.
Resonance Freq.	440Hz/300Hz
Sine Sweep	n.a.
Freq. Range	300-10kHz
Weight	24/26/47g
Contact type	Solder
Thickness	14,3/16/18,2mm

Typical applications

- Automotive application: Loud hearing in hands free car-kits Temperature range -40°C +85°C ABS Frame
- Loud hearing for conference phones

Frequency Response



Speaker Ø 64 mm

Speaker Ø 64 mm

- OD2071X.. : plastic membrane
- OD2071Z.. : paper membrane



Size: 64mm

Impedance	8/25/32/50 Ω
Sensitivity	86-87dB 1W/1m
Power Ratio	1W Nom. / 2W Max.
Resonance Freq.	X250-420 / Z340Hz
Sine Sweep	n.a.
Freq. Range	Fo – 3,5kHz
Weight	50g
Contact type	Solder
Thickness	19,4mm

Typical applications

- Corded phone
- Intercom
- Industrial
- Medical

Frequency Response

OD2071Z25

