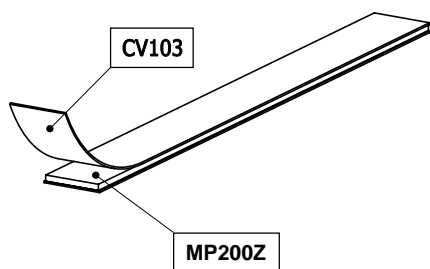
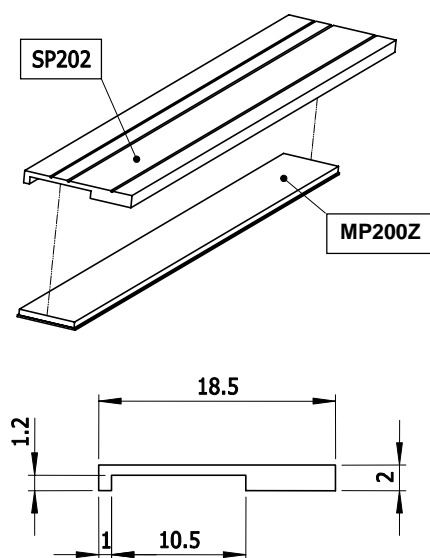


Code ST28	Project A25-B	Release B	Title SAFETY DATASHEET
---------------------	-------------------------	---------------------	----------------------------------

ACCESSORIES
CV103


Stainless steel cover for protection
 10 mm width - 0.3 mm thickness
 To be placed on the magnetic tape

SP202


Aluminium support
 To be fixed on the machine to support the magnetic band

ATTENTION!
 It is **NOT** possible to use the support SP202 if the magnetic band MP200Z is already covered by CV103.

ORDERING CODE OF ACCESSORIES

MODEL	LENGTH (mm)
CV103	XXXXX
SP202	XXXXX

INSTALLATION AND HANDLING

1. Degrease the surface where you want to place the magnetic band by using alcohol and dry it carefully.
2. Place the band and keep it aligned with the reader head ensuring that the magnetic part is just next to the sensor.
3. Place the cover CV103 or the support SP202, if provided.
4. The max. adhesion will be achieved after 48 hours from sticking.
5. Keep other magnetic parts clear from the tape.
6. Store and roll up the tape keeping the magnetic strip on the outside, in order to avoid tensions.