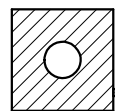
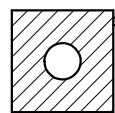


**FERROXCUBE**



a

b

c

d

e

f

1

2

3

4

5

6

7

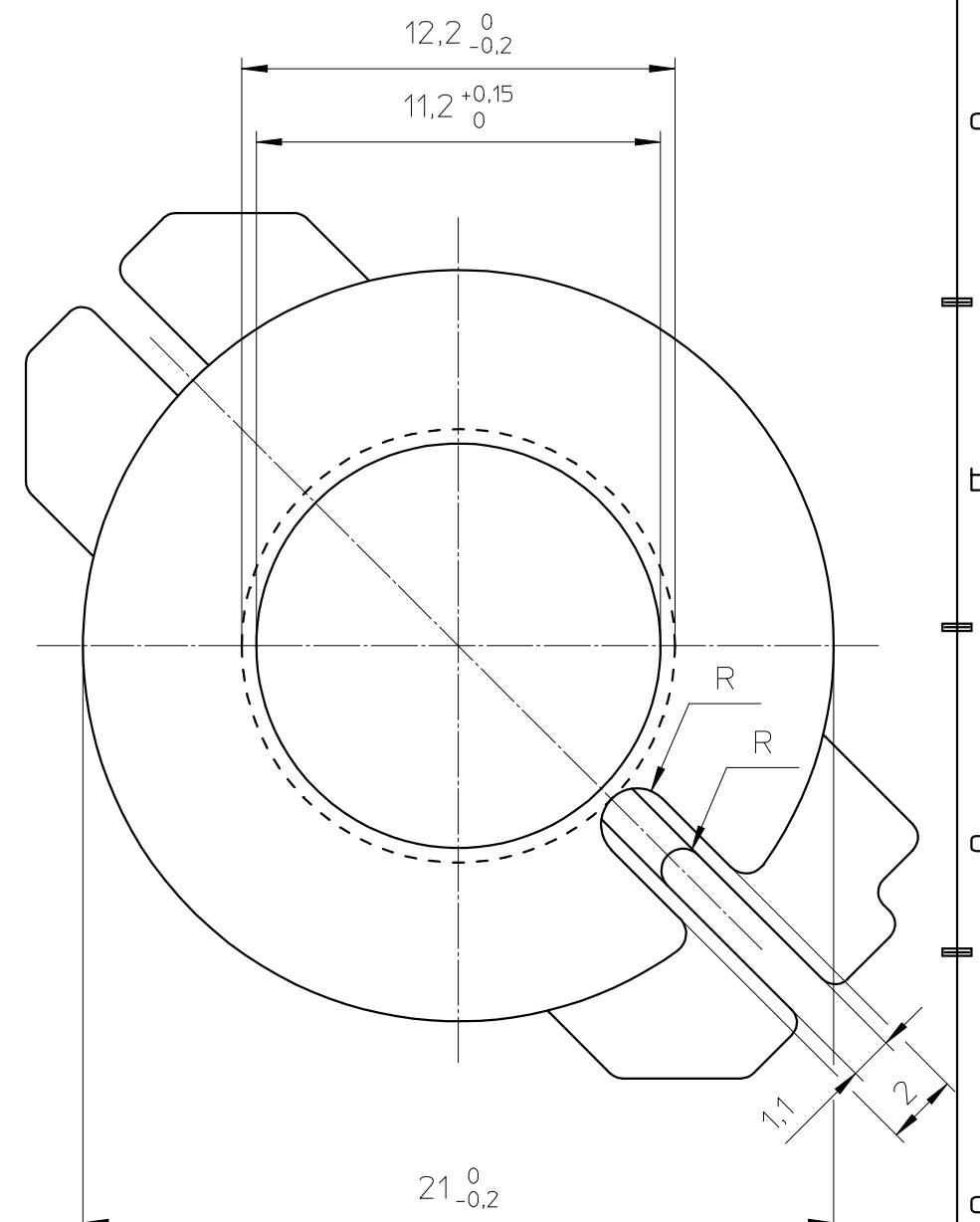
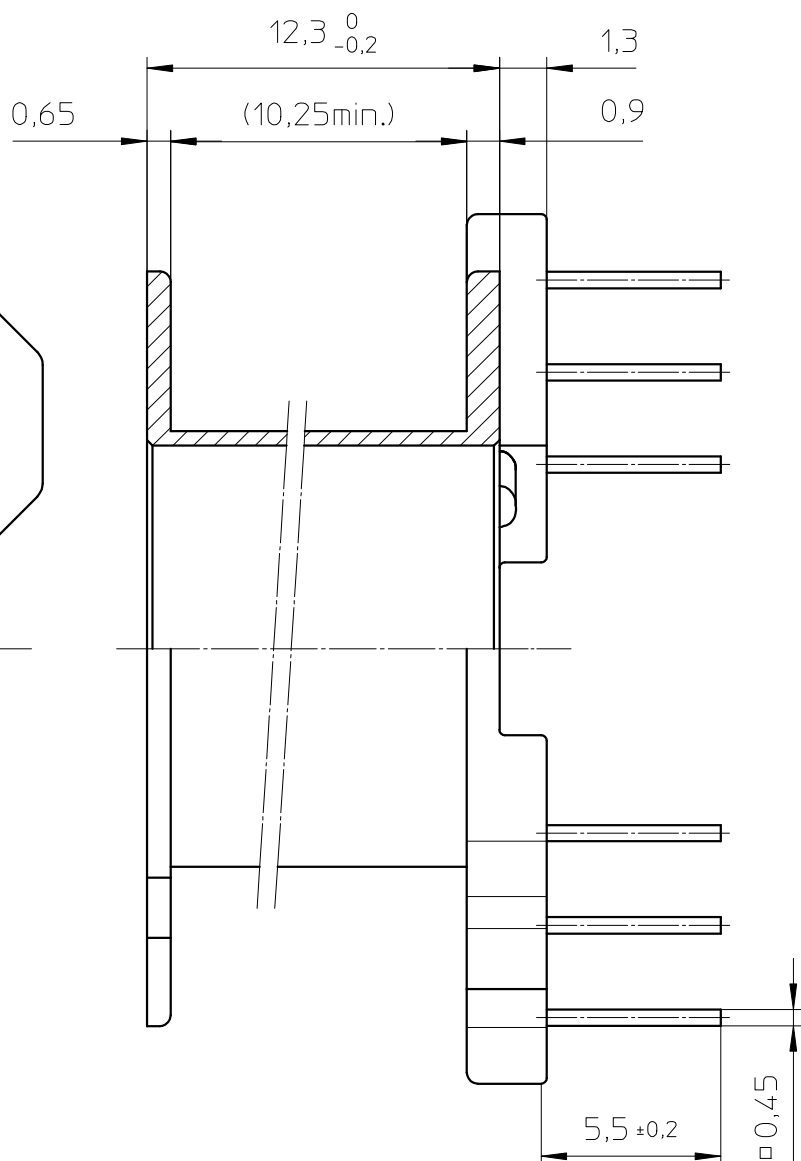
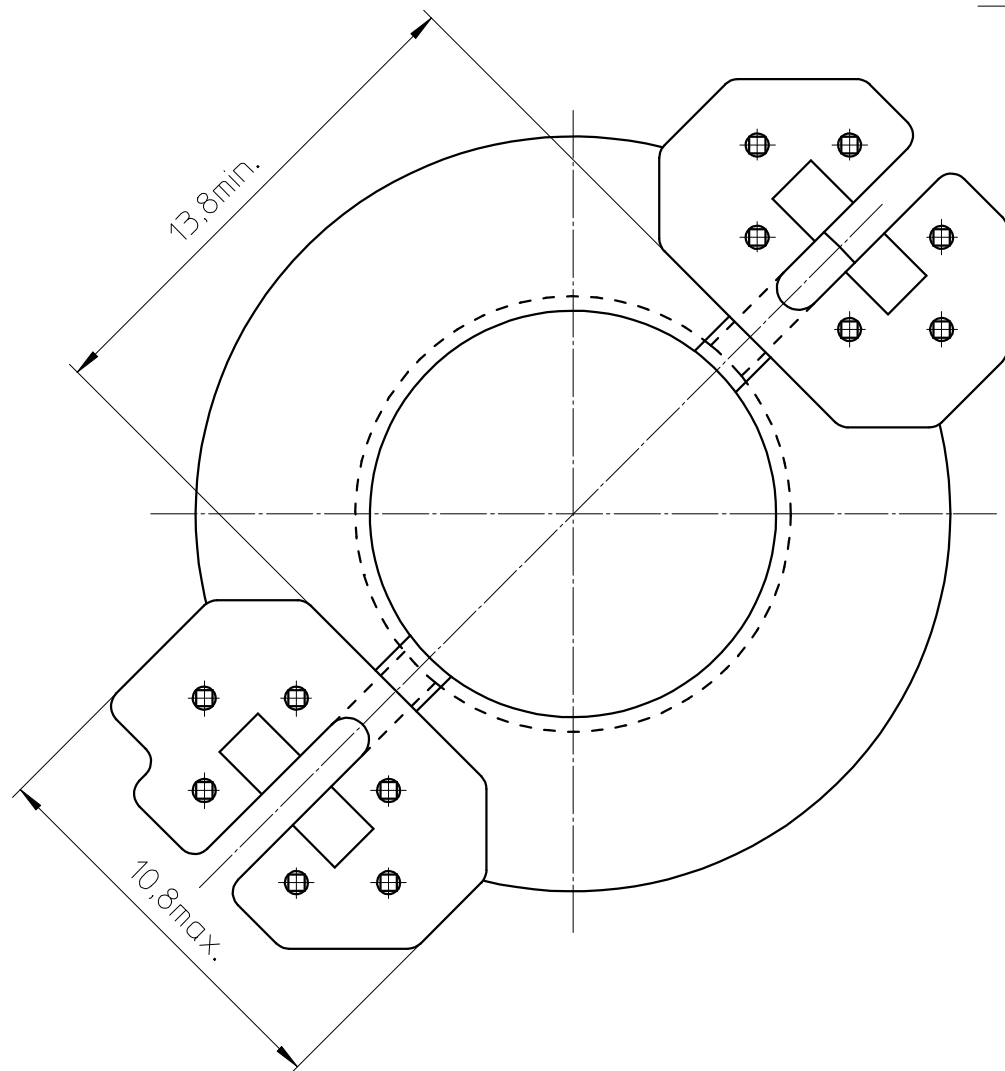
8

a

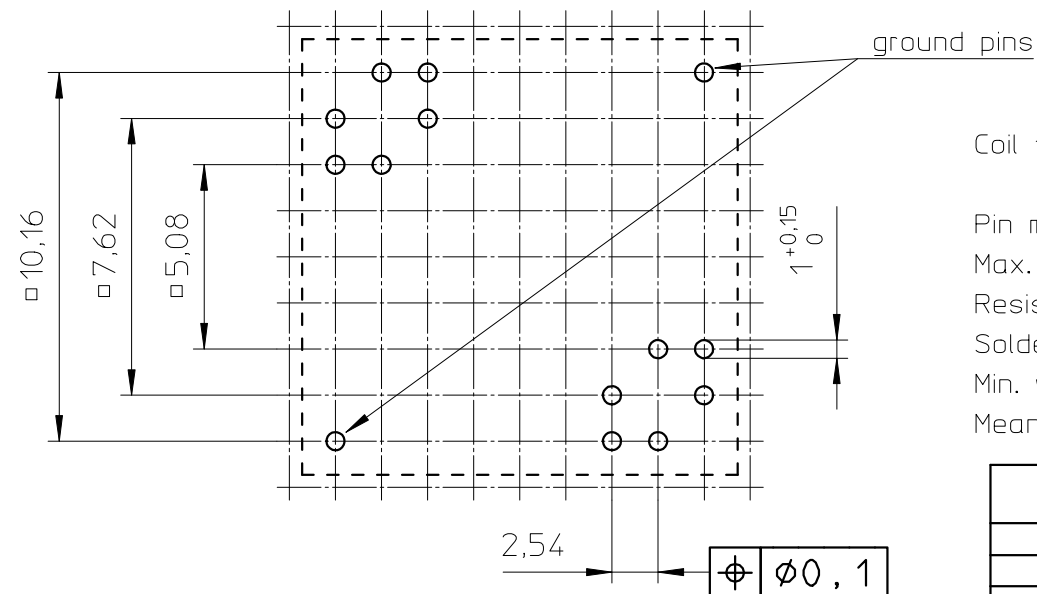
b

c

d



HOLE PATTERN:  
Space requirement 10x10 pitch.



Coil former material: Sumikon PM9820 (PF), glass-reinforced.  
 UL file number: E41429 - UL94V-0.  
 Pin material: CuSn - Ni flash, Sn plated.  
 Max. operating temp.: acc. to IEC 60 085 class H, 180°C.  
 Resistance to soldering heat: acc. to IEC 60 068-2-20 Part 2, Test Tb, method 1B, 350°C-3.5s  
 Solderability: acc. to IEC 60 068-2-20 Part 2, Test Ta, method 1, 235°C-2s  
 Min. winding area: 44 mm<sup>2</sup>.  
 Mean length of turn: 51.8 mm.

CLASS.NO.	CSV-RM10-1S-12P-T		4322 021 01141	94-09-14
NAME NAAM	M.Veekens	SUPERS. VERV.	1	96-08-22
MPA	CHECK CONTR.	DAT.	94-09-14	00-08-08
PROPERTY OF EIGENDOM VAN			112 - 001	010
				2004-09-28
				A3

1

2

3

4

© FERROXCUBE 2000