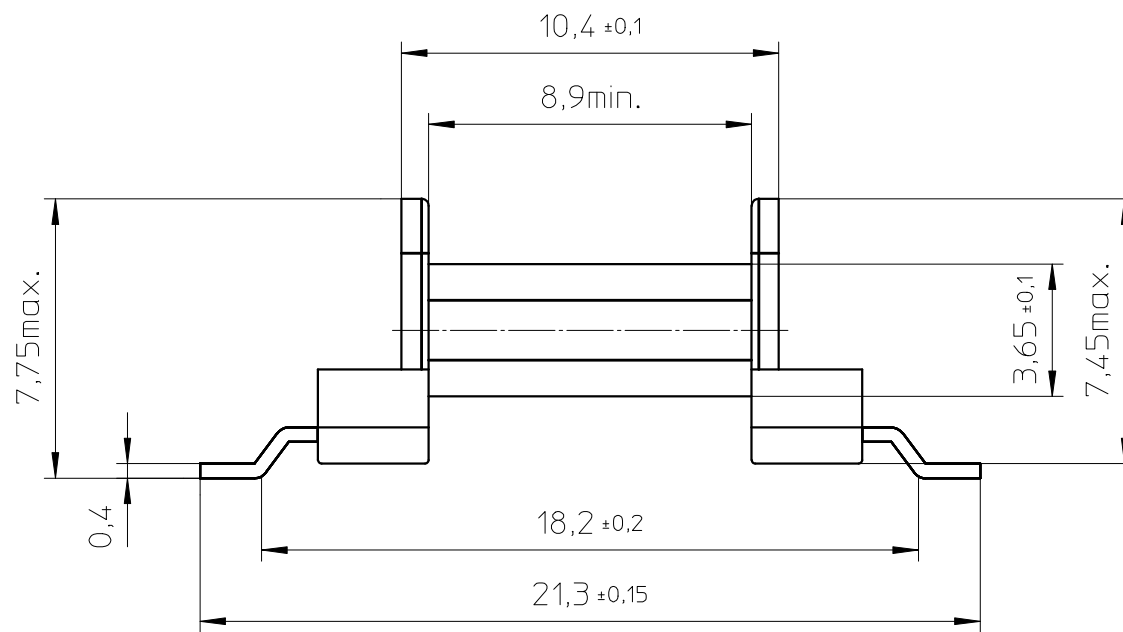
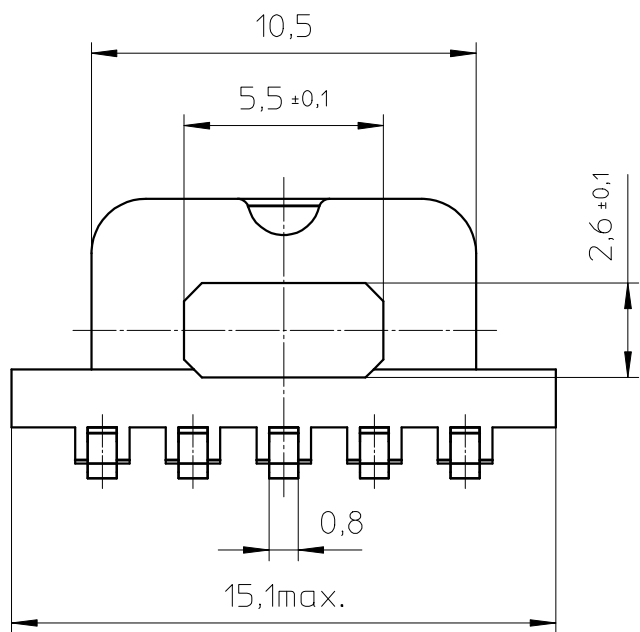
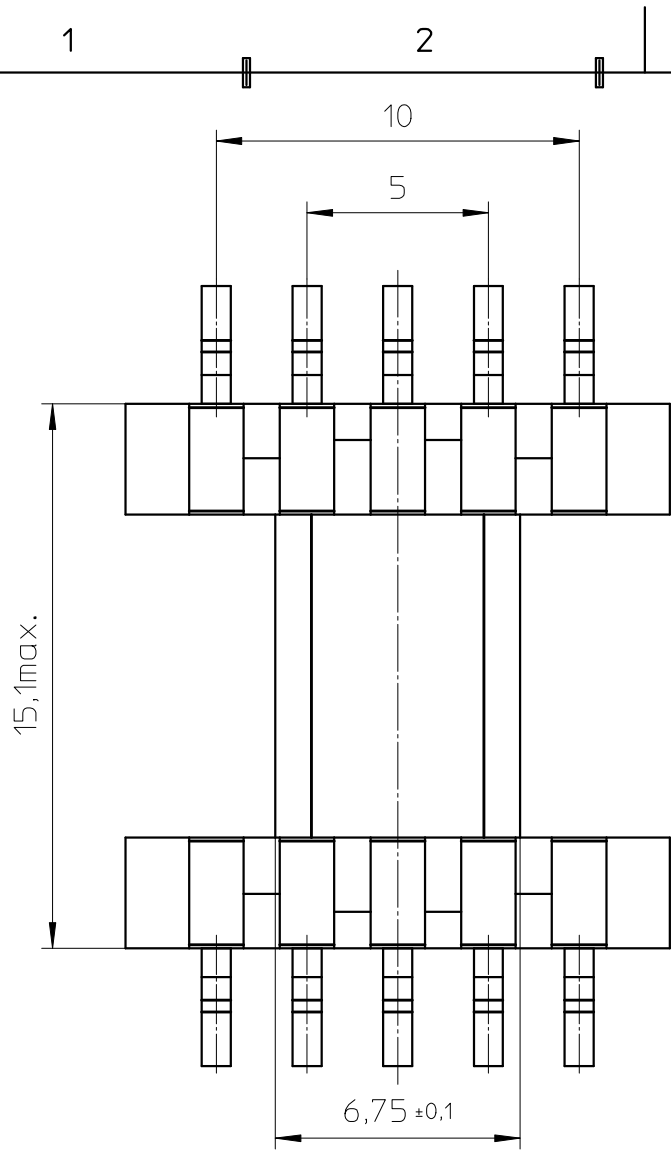
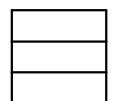
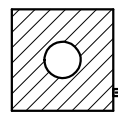
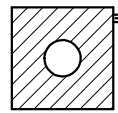
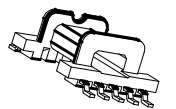
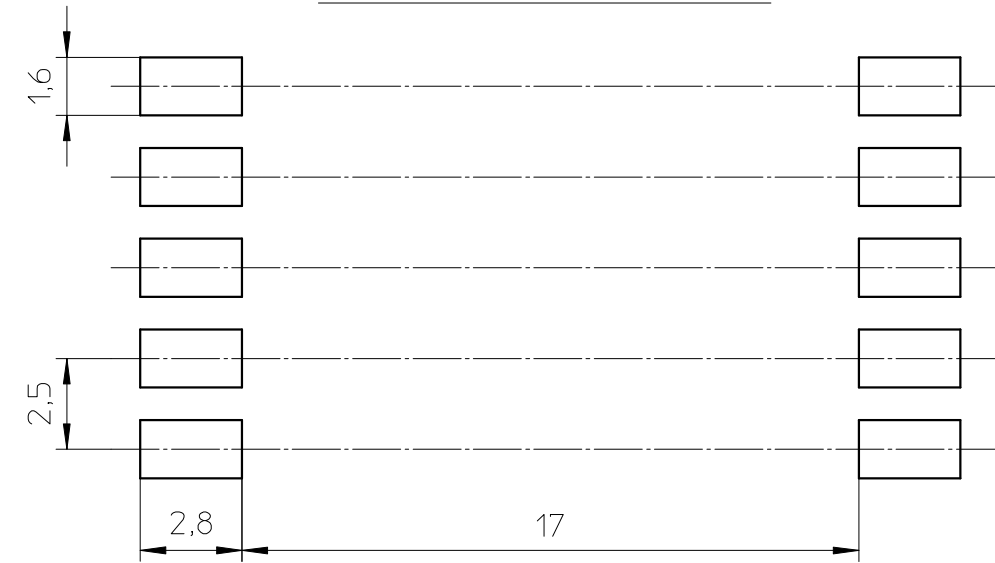


**FERROXCUBE**



Coil former material: Sumikasuper E4008 (LCP), glass-reinforced.  
 UL file number: E54705(M) - UL94V-0  
 Pin material: CuSn - Ni flash, Sn plated.  
 Max. operating temp.: acc. to IEC 60 085 class F, 155°C.  
 Resistance to soldering heat: acc. to IEC 60 068-2-20 Part 2, Test Tb, method 1B, 350°C-3.5s.  
 Solderability: acc. to IEC 60 068-2-20 Part 2, Test Ta, method 1, 235°C-2s.  
 Min. winding area: 16 mm<sup>2</sup>.  
 Mean length of turn: 26 mm.

PROPOSED PAD ARRANGEMENT:



CLASS.NO.	CPHS-EFD15-1S-10P		4322 021 0292		1 1998-07-22		
					1 2004-04-01		
					1 2005-03-08		
					2006-07-31		
NAME NAAM	A.Wojtasz	SUPERS. VERV.	8222 294 46351	001 SH SH BL BL	112 - 001	069	A3
MPA	CHECK CONTR.	DAT.	98-07-22	Property of Eigendom van		© FERROXCUBE 2000	