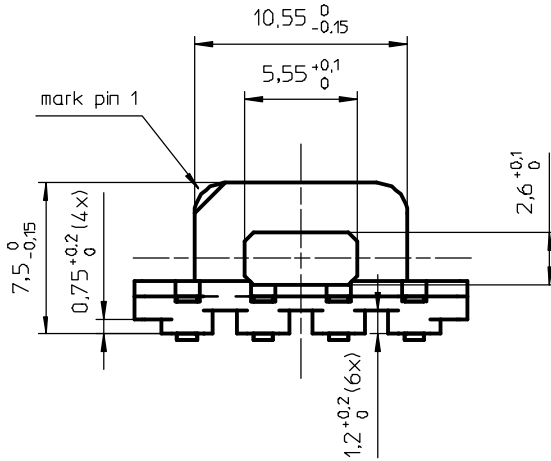
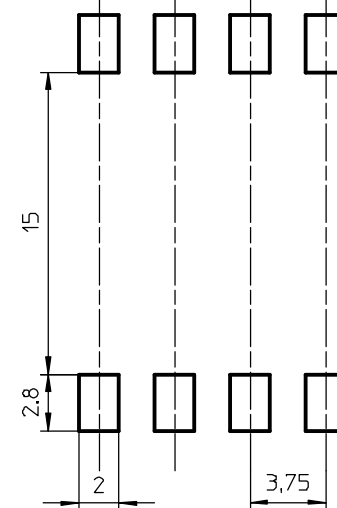
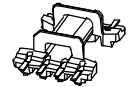


PROPOSED PAD ARRANGEMENT:



- Coil former material: Sumikon PM-9630 (PF), glass-reinforced
UL file number E41429 - UL94V-0.
- Pin material: CuSn, Sn plated.
- Max. operating temp.: acc. to IEC 60 085 class H, 180°C
- Resistance to soldering heat: acc. to IEC 60 068-2-20 Part 2, Test Tb, method 1B, 350°C-3,5 s.
- Solderability: acc. to IEC 60 068-2-20 Part 2, Test Ta, method 1, 235°C-2s.
- Min. winding area: 15,1 mm²
- Mean length of turn: 24,1 mm.



| | | | |
|-----------------------------|-----------------|-----------------|----------|
| CLASS NO. | | 03-02-20 | |
| CSHS-EFD15-1S-8P-ZA | | 4322 021 06081 | |
| NAME NAAM | J. Tjon | SUPERS VERV. | 001 |
| MPA | CHECK CONTR. | DATE | 03-02-20 |
| Property of Eigendom van | | 112 - 001 | 069 |
| © FERROXCUBE 2000 | | A3 | |