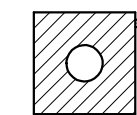


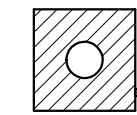
FERROXCUBE



c

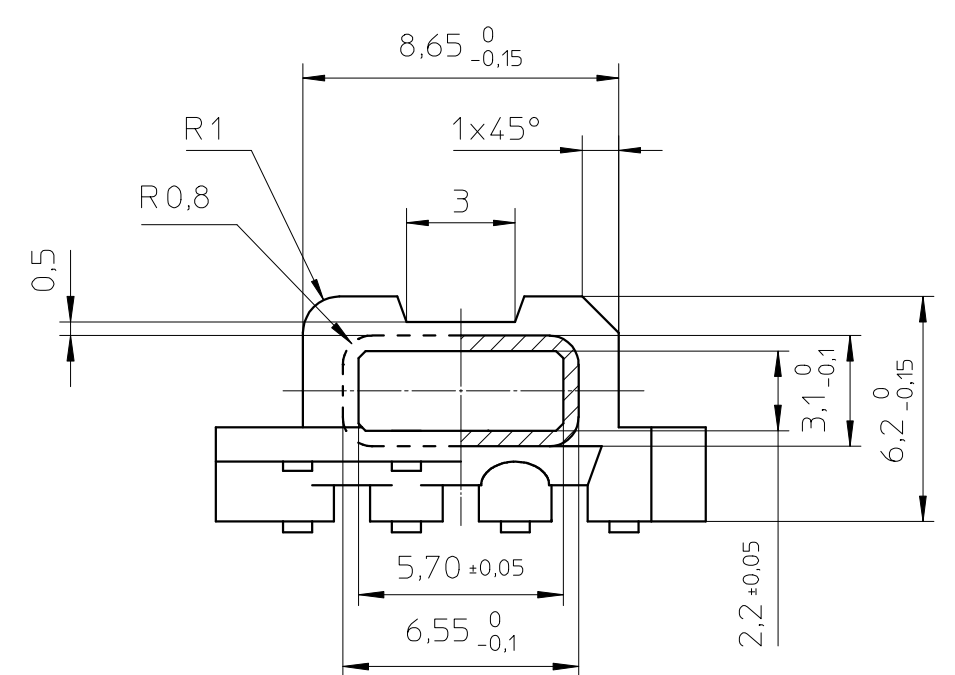
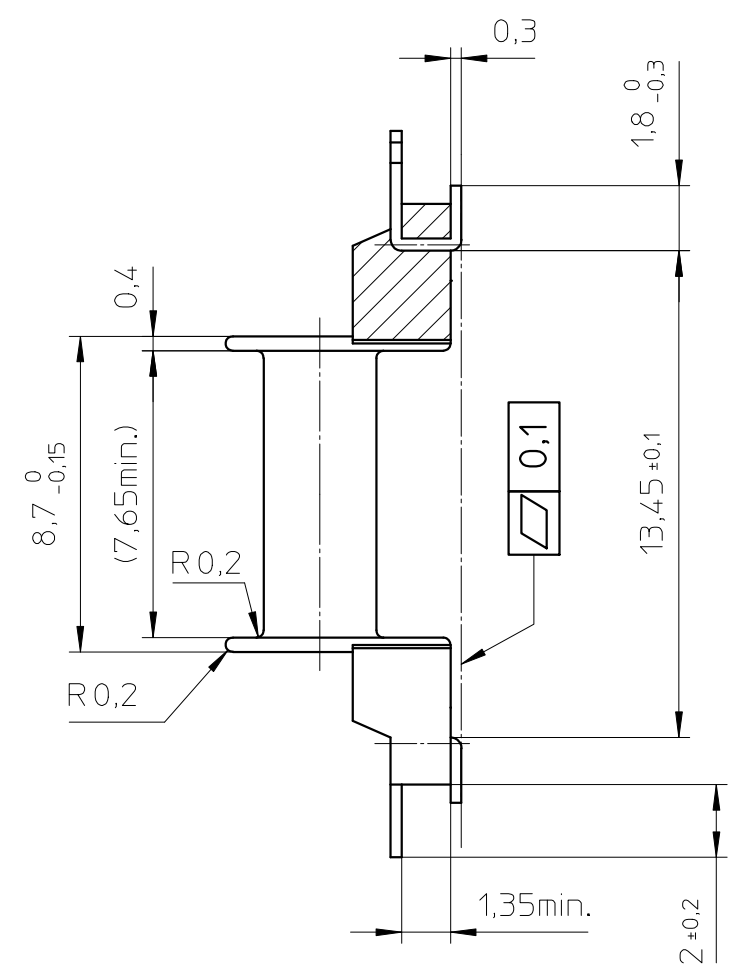
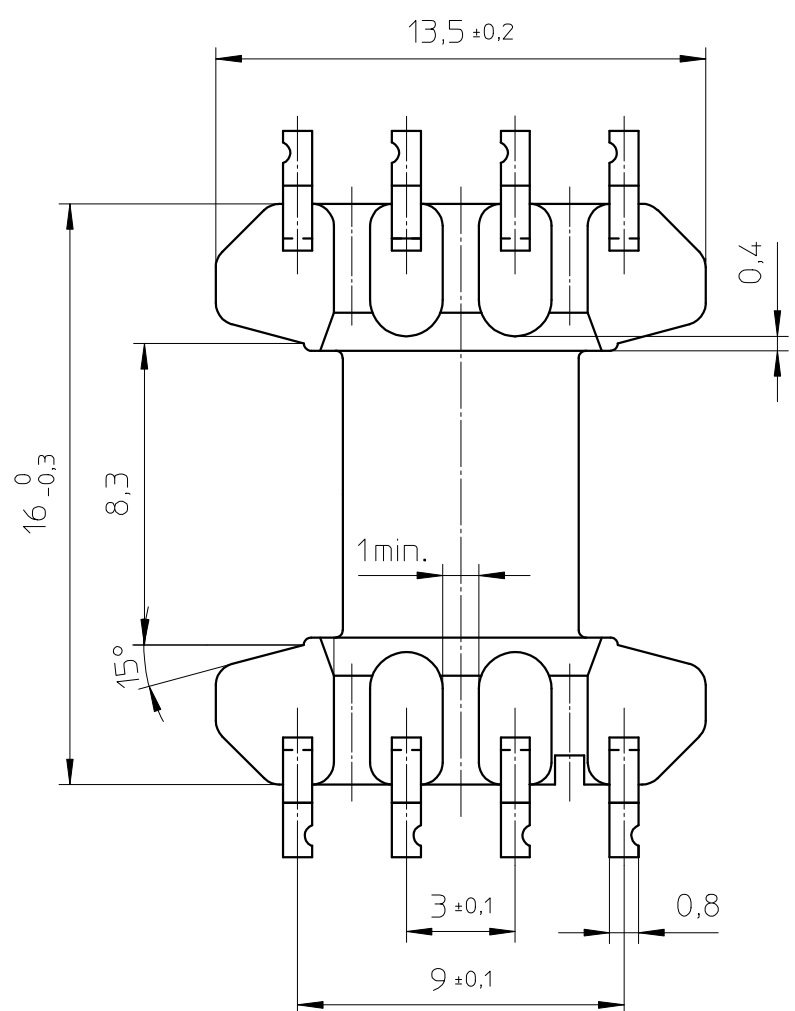
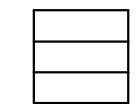


d

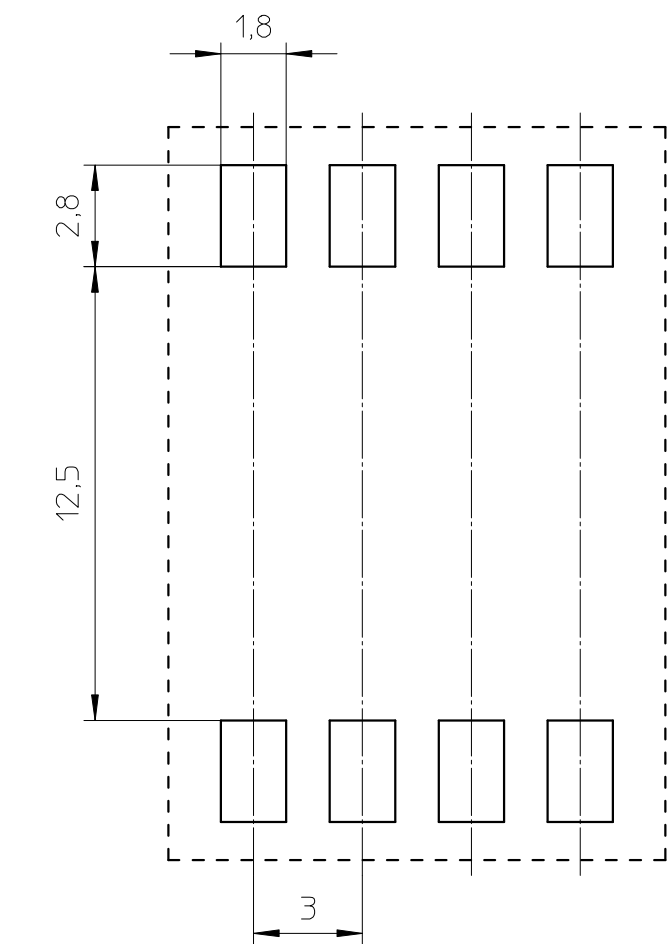


e

f



PROPOSED PAD ARRANGEMENT :



Coil former material: Sumikasuper E4008 (LCP), glass-reinforced.
 UL file number: E54705 - UL94V-0.
 Pin material: CuSn - Ni flash, Sn plated.
 Max. operating temp.: acc. to IEC 60085 class F, 155°C.
 Resistance to soldering heat: acc. to IEC 60068-2-20 Part 2, Test Tb, method 1B, 350°C - 3,5sec.
 Solderability: acc. to IEC 60068-2-20 Part 2, Test Ta, method 1, 235°C - 2sec.
 Min. winding area: 6,5 mm².
 Mean length of turn: 18,6 mm.

CLASS.NO.	CPHS-EFD12-1S-8P-Z		4322 021 06171		03-02-25
			Inmolded pins		06-09-06
NAME NAAM	A.Wojtasz	SUPERS. VERV.	001	SH BL	112 - 001
MPA	CHECK CONTR.	DAT.	03-02-25	Property of Eigendom van	069
					A3
					© FERROXCUBE 2000