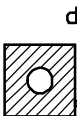


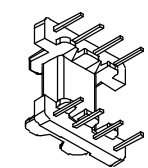
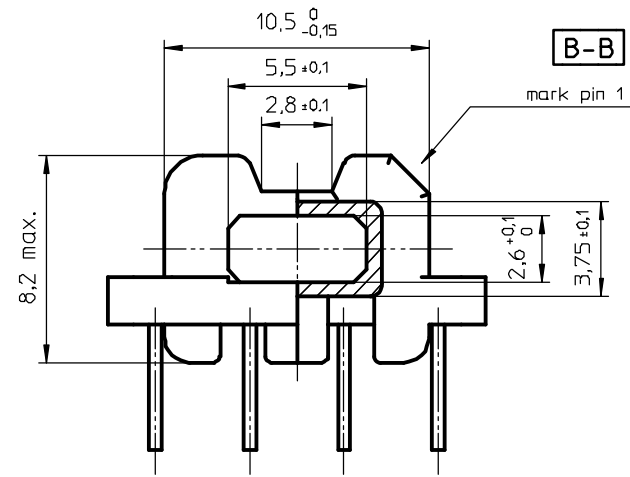
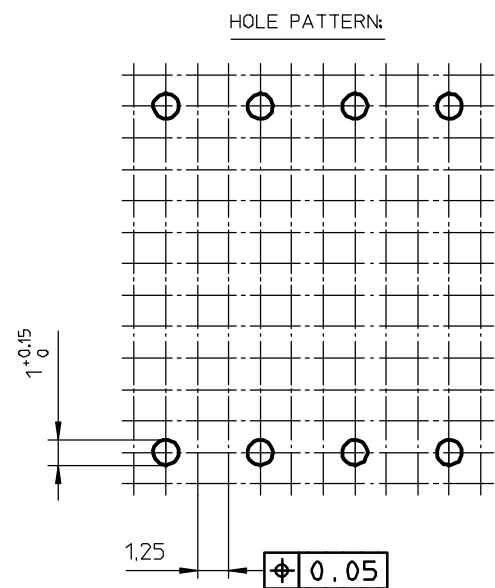
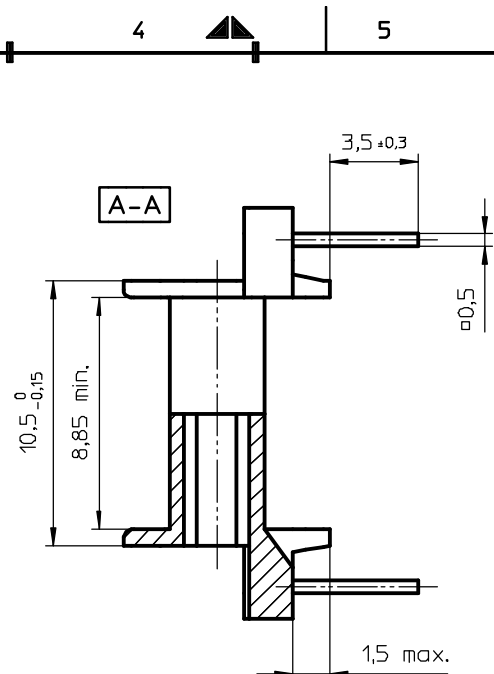
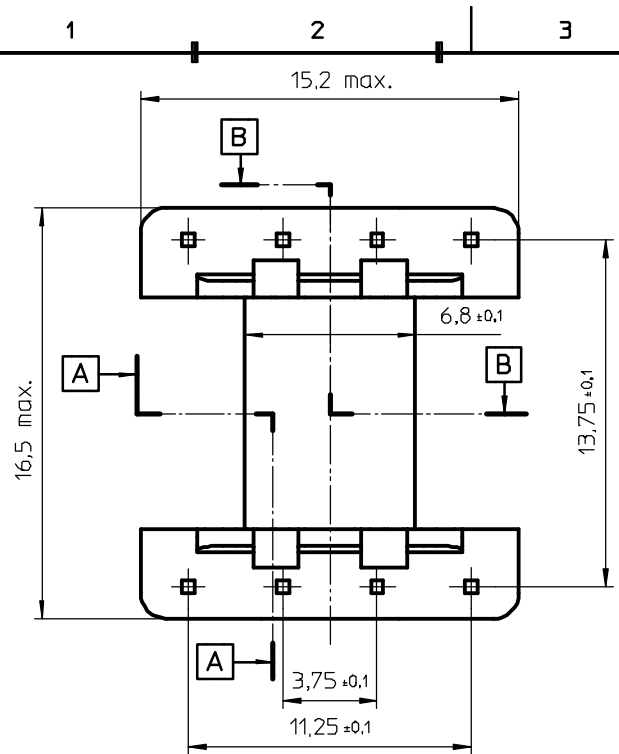


c



e

f



Coil former material: Sumikon PM-9630 (PF), glass-reinforced.
 UL file number: E41429 - UL94V-0.

Pin material: Copper-plated steel wire, Sn plated.

Max. operating temp.: acc. to IEC 60085 class H, 180°C.

Resistance to soldering heat: acc. to IEC 60068-2-20 Part 2, Test Tb, method 1B, 350°C-3.5sec.

Solderability: acc. to IEC 60068-2-20 Part 2, Test Ta, method 1, 235°C - 2sec.

Min. winding area: 14,8 mm².

Mean length of turn: 26,3 mm.

CLASS NO.		03-03-10	
NAME		CSH-EFD15-1S-8P-TZ	
NO. IN		4322 021 06281	
NAME	J. Tjon	SUPERS	001
NO. IN	MPA	VERV.	112 - 001
CHECK	CONTR.	DATE	03-03-10
Property of		069	
Eigendoms van		© FERROXCUBE 2000	
		A3	