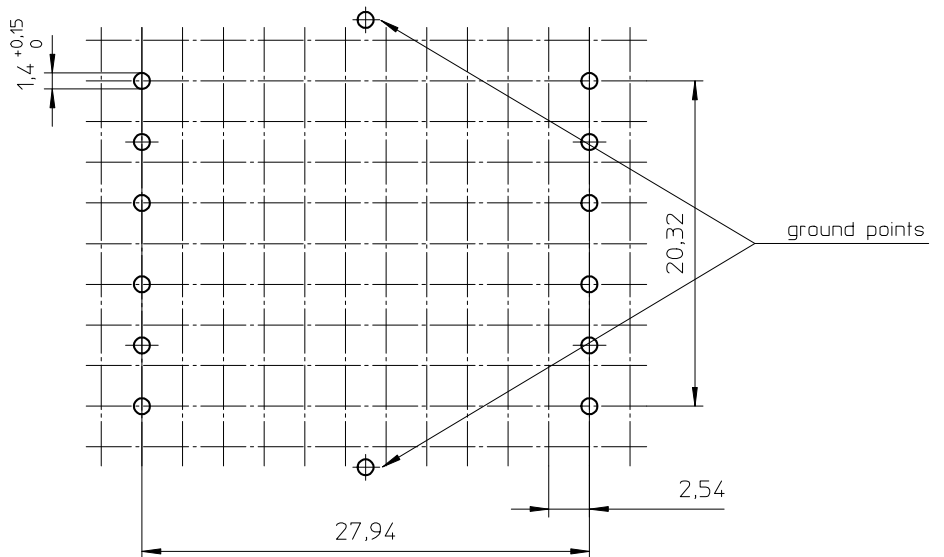
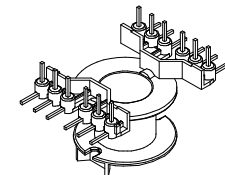


PROPOSED HOLE PATTERN :



- Coil former material: Rynite FR 530 (PET), glass-reinforced. UL file number: E41938 - UL94V-0.
- Pin material: Copper-plated steel wire - Sn plated.
- Max. operating temp.: acc. to IEC 60 085 class F, 155°C.
- Resistance to soldering heat: acc. to IEC 60 068-2-20 Part 2, Test Tb, method 1B, 350°C-3.5s
- Solderability: acc. to IEC 60 068-2-20 Part 2, Test Ta, method 1, 235°C-2s
- Min. winding area: 44,2 mm².
- Mean length of turn: 52 mm.



CLASSNO.		CPV-RM10/I-1S-12PD-TZ		4322 021 06661		2007-02-03	
NAME NAAM	A.Woitasz	SUPERS. VERV.	001	SPRSH BL	112 - 001	010	A3
MPA	CHECK CONTR.	DAT.	2007-02-03	Property of Eigenaam van	© FERROXCUBE 2007		