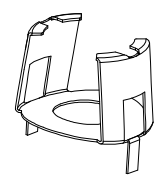
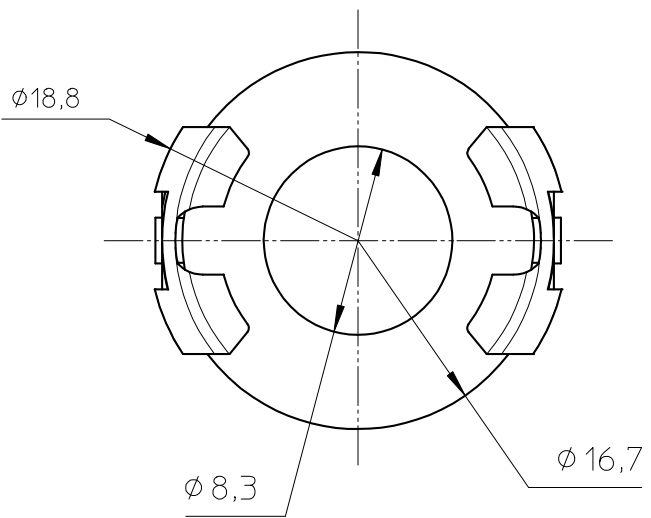
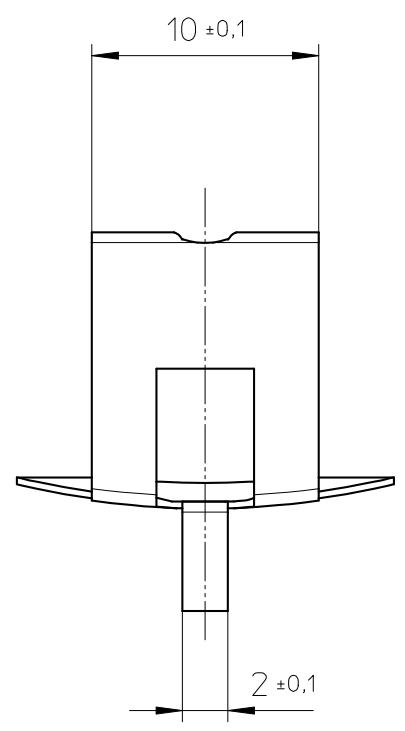
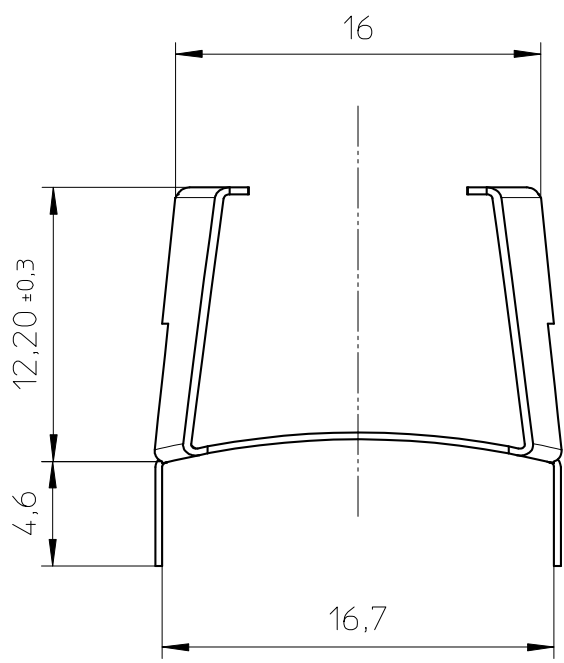
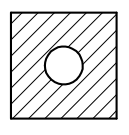
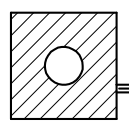


FERROXCUBE



Material: phosphorbronze 0,3 mm - Sn plated (plating finish bright)
 Earthpins solderability: acc. to IEC 60 068-2-20 Part 2, Test Ta, method 1, 235°C-2s

CLASS.NO.		07-10-03	
CLM/TP-P18/11-TZ		4322 021 06751	
NAME NAAM	SUPERS. VERV.	1 SH BL.	SH BL.
MPA	CHECK CONTR.	DAT. 07-10-03	Property of Eigendom van
			© FERROXCUBE 2007
			A4