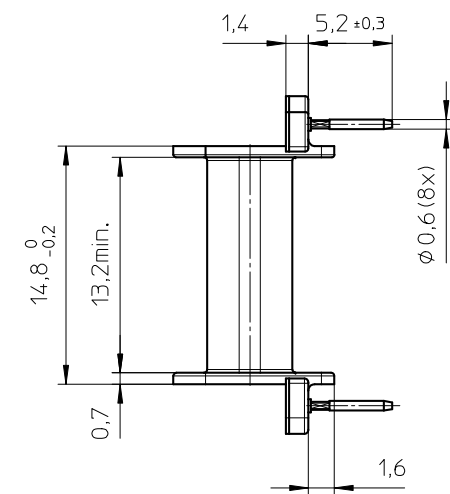
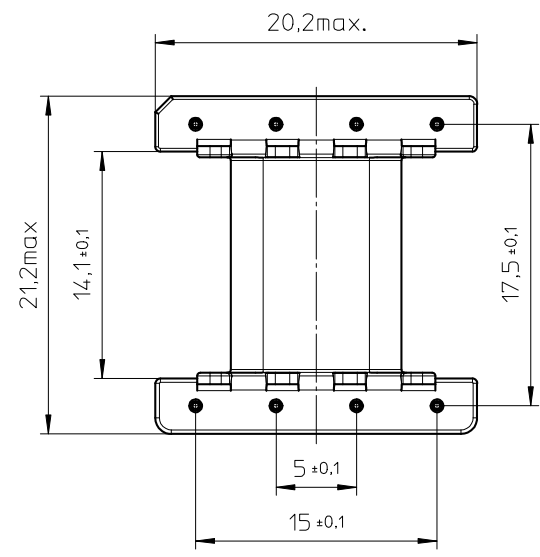


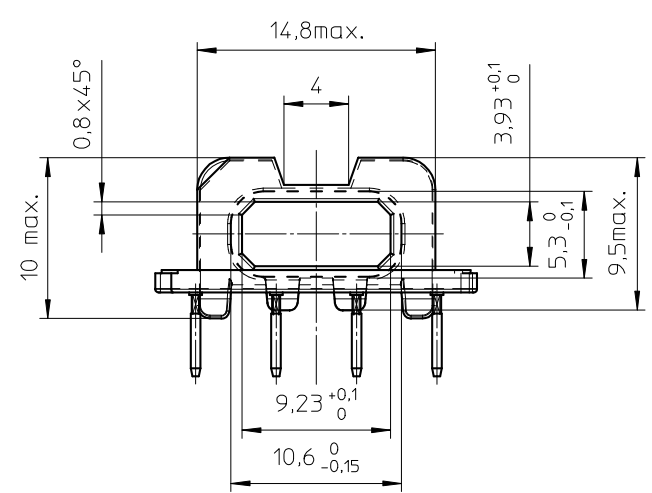
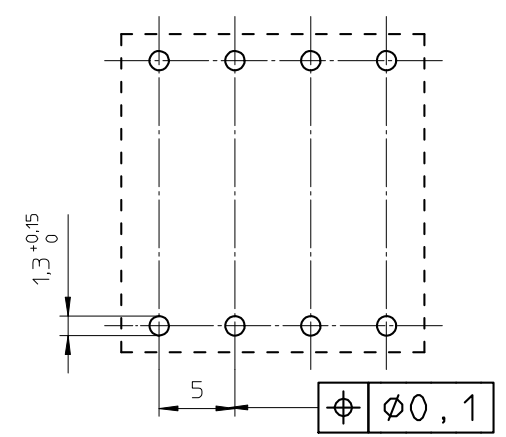
e

f

1 2 3 4 5 6 7 8



HOLE PATTERN:



Coil former material: Sumikon PM9630 (PF), glass-reinforced.
 UL file number: E1429 - UL94V-0.

Pin material: CuSn - Ni flash, Sn plated.

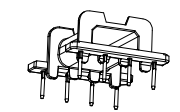
Max. operating temp.: acc. to IEC 60 085 class H, 180°C.

Resistance to soldering heat: acc. to IEC 60 068-2-20 Part 2, Test Tb, method 1B, 350°C-3.5s.

Solderability: acc. to IEC 60 068-2-20 Part 2, Test Ta, method 1, 235°C-2s.

Min. winding area: 26,4 mm².

Mean length of turn: 36,5 mm.



CLASSNO.		07-11-05	
NAME NAAM		A.Woitasz	
SUPERVISOR VERV.		001	
DATE DAT.		07-11-05	
PROPERTY EIGENDOM VAN		© FERROXCUBE 2007	
PART NO. DEELN.		110 - 001	
REV.		069	
DRAWN BY		A3	
CHECKED BY			
APPROVED BY			

1 2 3 4