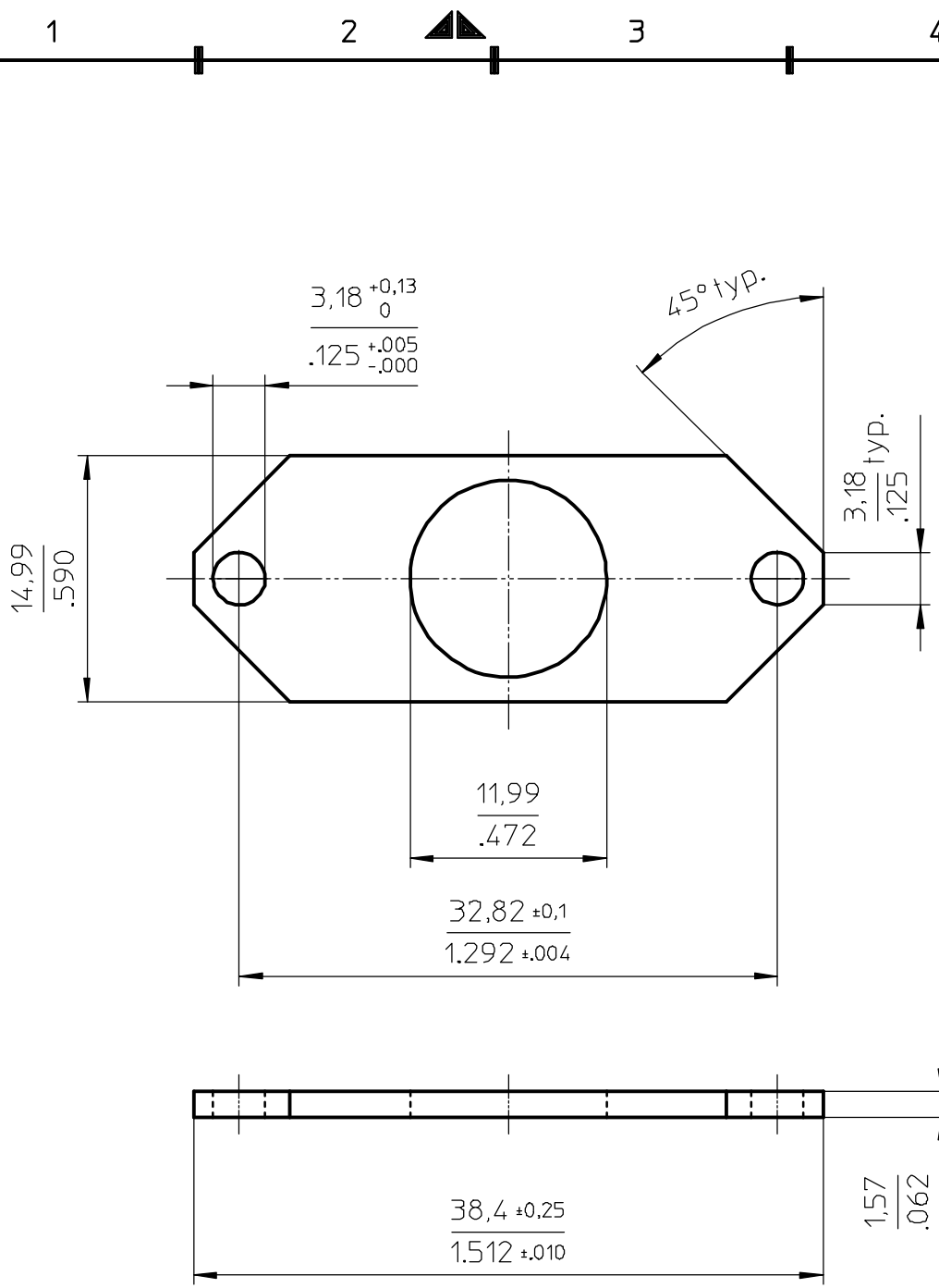
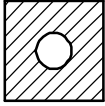


**FERROXCUBE**



Material: Brass, 1/2 hard, Zn plated (thk 0.0002" min.) suppl. chromate treatment

CLASSNO.			01-06-01
			02-11-25
	BPL-CLM/S-P26/16	4335 000 45211	
NAME NAAM	TJON	SUPERS. VERV	1 SH BL SH BL 112 - 001
MPA	CHECK CONTR.	DAT.	Property of Eigendom van
			© FERROXCUBE 2000

**A4**