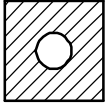
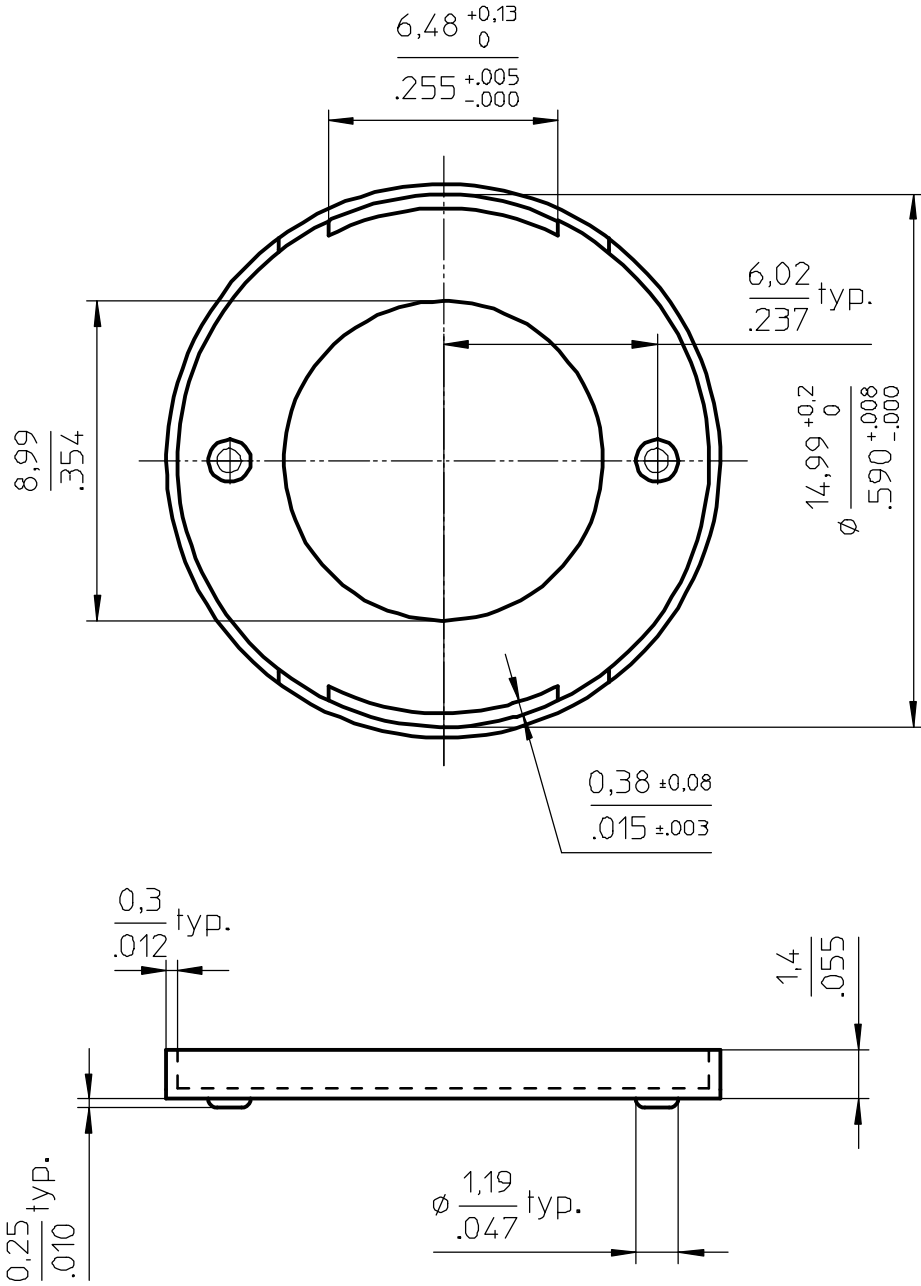


FERROXCUBE



1 2 3 4



Material: Brass, 1/2 hard, Zn plated (0.0002") suppl. chromate treatment.

CLASSNO.		BPL/R-CLM/C-P14/8		4335 000 45111		01-06-01
						02-11-25
NAME NAAM		Tjon		001 SH BL SH		112 - 01
MPA		CHECK CONTR.		Property of Eigendom van		© FERROXCUBE 2000
		SUPERVISOR VERV.				A4
		DATE				