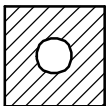
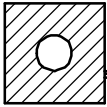
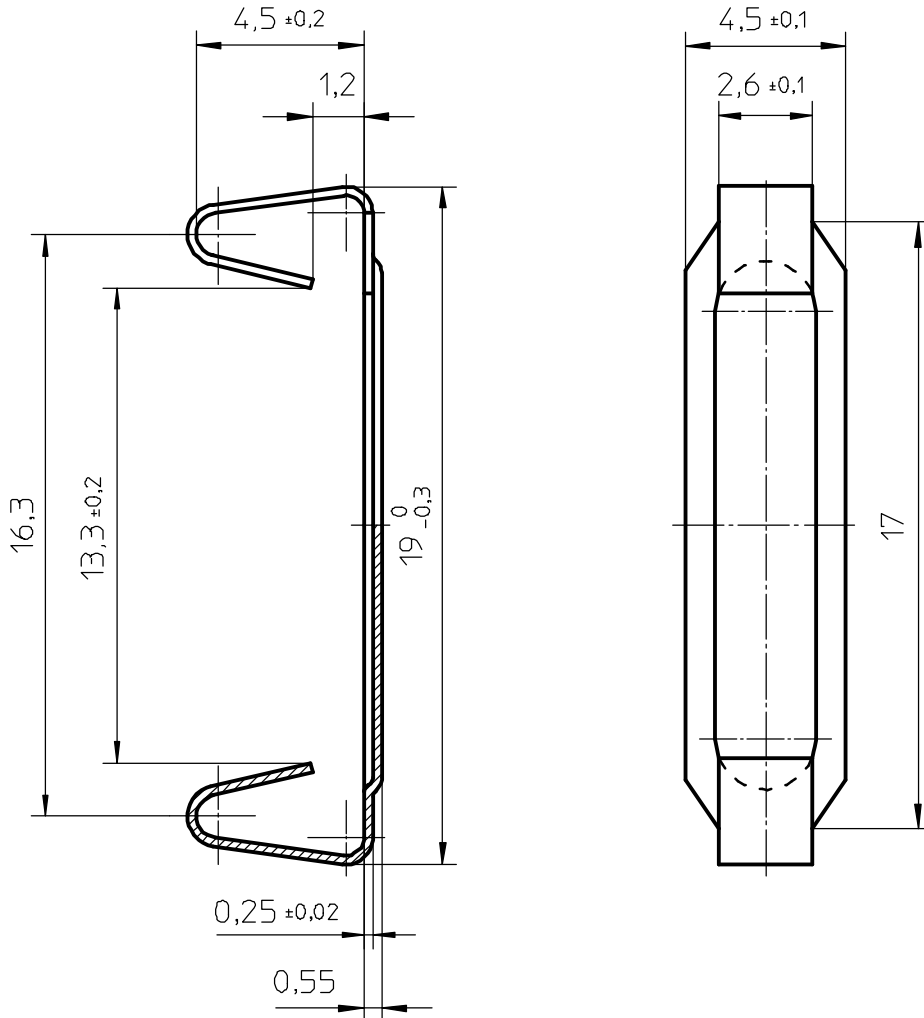


**FERROXCUBE**



1 2 3 4



Clip material : corrosion resisting steel X12 CrNi 17 7

Clamping force by 15 mm : ± 12,5N

CLASS NO.		CLI-EFD15		4322 021 35141		91-02-22	
NAME NAAM		M.Veekens		1 SH SH BL BL		112 - 001 010	
CHECK CONTR.		DAT. 91-02-22		Property of Eigendom van		© FERROXCUBE 2000	
MPA						<b>A4</b>	