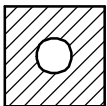
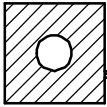
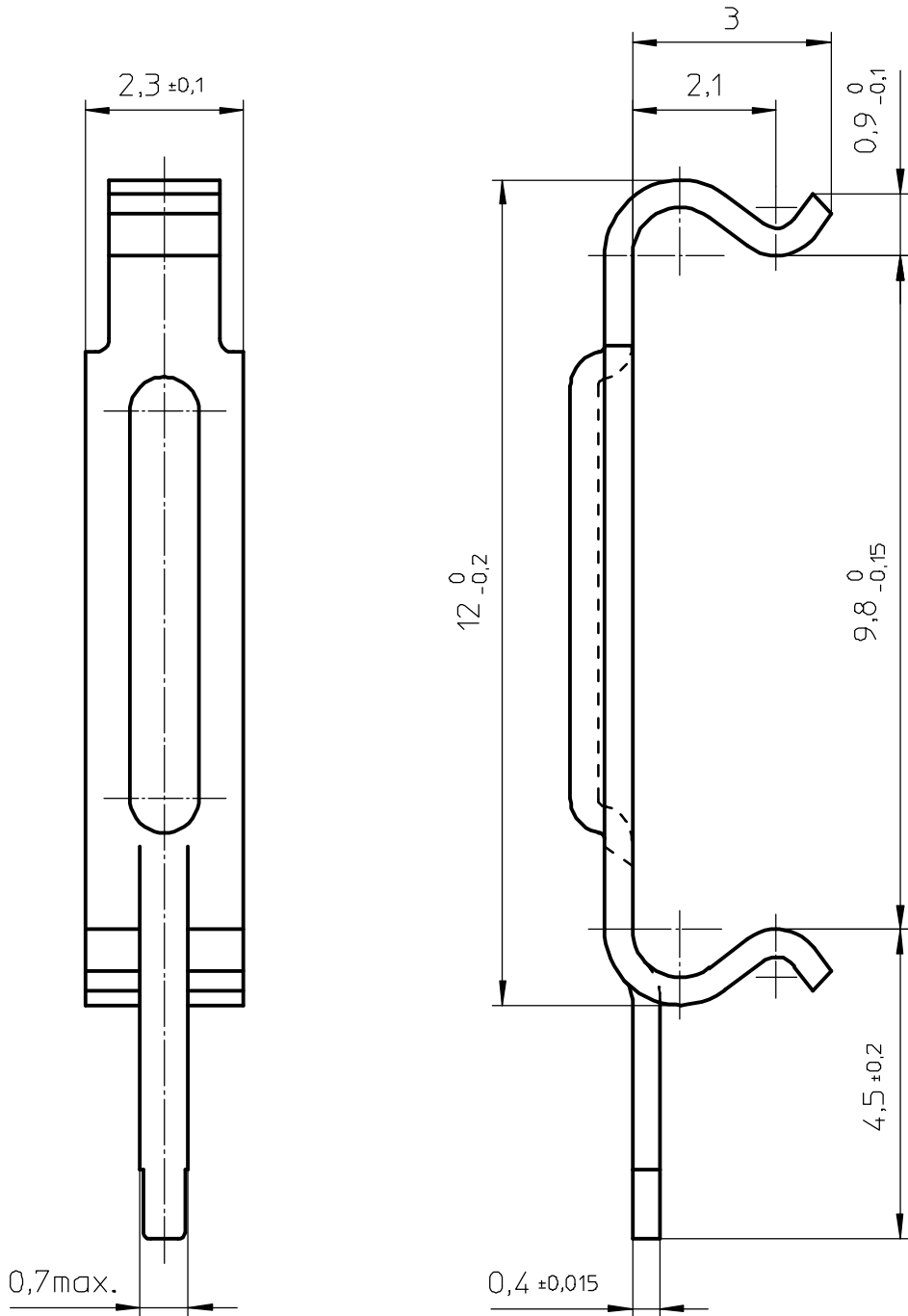


FERROXCUBE



1 2 3 4



Clamping force on core set $\pm 20\text{N}$.

Clip material : spring steel - Ni flash , Ag plated.

Solderability : IEC 68-2-20 part 2, Test Ta, method 1.

CLASS NO.		CLI/P-RM6	4322 021 31787		91-08-23
96-08-29					96-08-29
					97-01-15
NAME NAAM	M.Veekens	SUPERS. VERV.	1	SH BL	112 - 001 010
MPA	CHECK CONTR.	DAT.	91-08-23	Property of Eigendom van	© FERROXCUBE 2000
					A4