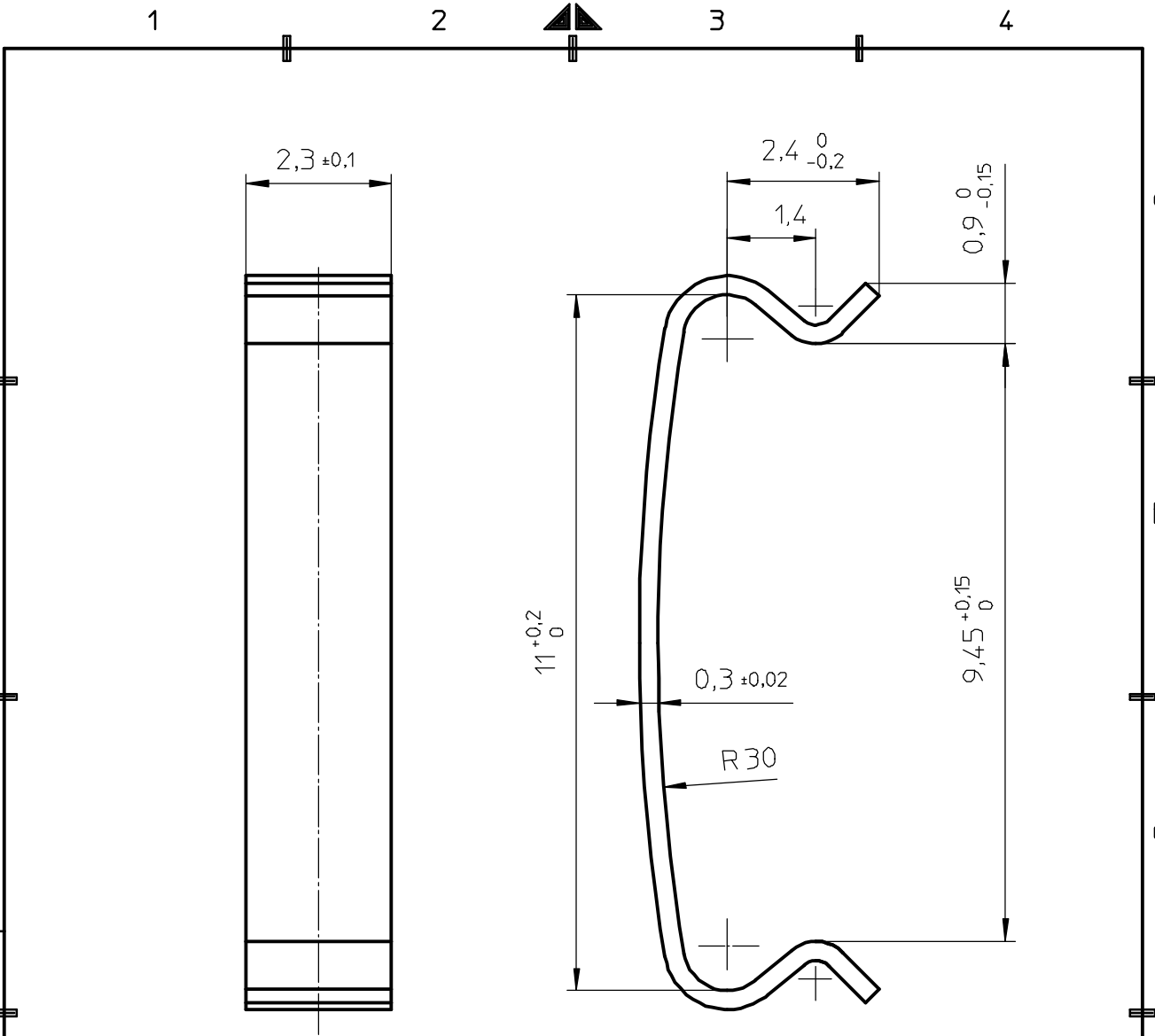
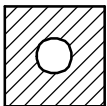
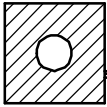


FERROXCUBE



Clip material: corrosion resisting steel X12 CrNi 17 7
Clamping force by 10,4 mm.: 10N

CLASS NO.		CLI-RM6/I	4322 021 34951		95-05-15		
96-11-29					96-03-27		
NAME NAAM		M.Veekens	SUPERS. VERV.	1	SH BL	112 - 001 010	A4
MPA		CHECK CONTR.	DAT.	95-05-15	Property of Eigendom van		© FERROXCUBE 2000