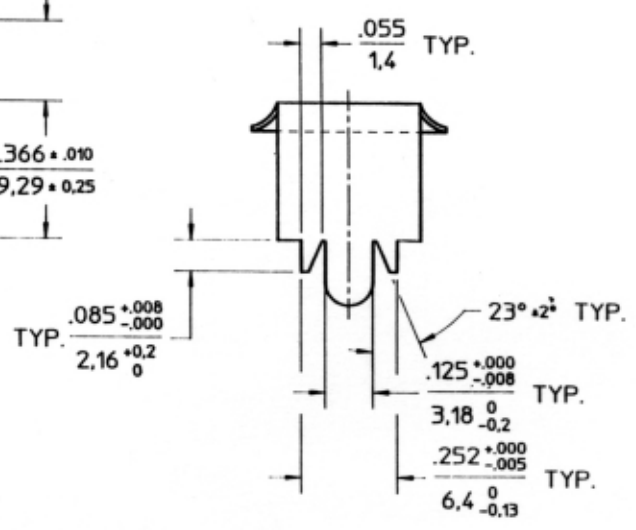
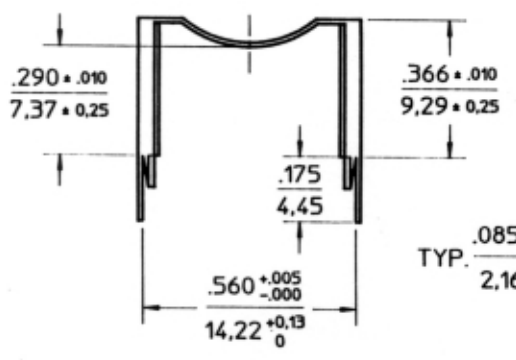
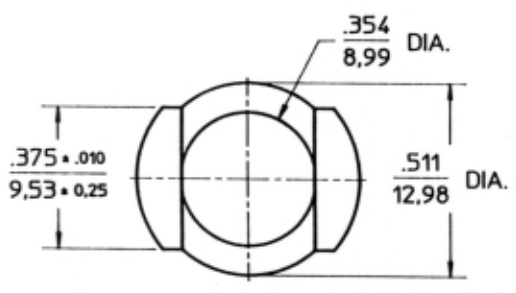


FERROXCUBE



Material: Brass half hard, Zn plated

				01-06-01	
		CLM/C-P14/8		4335 000 45121	