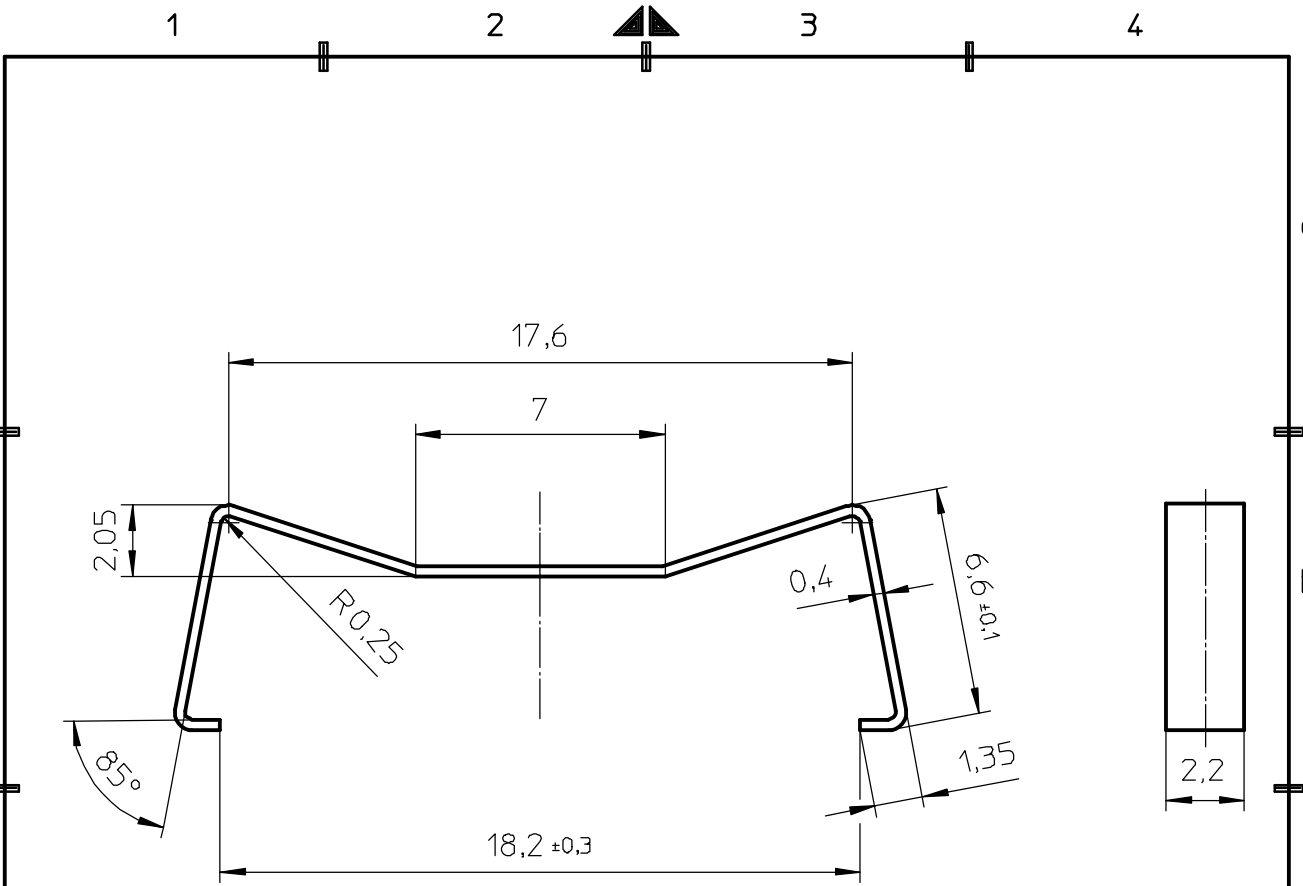
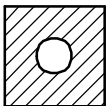
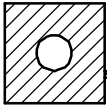


**FERROXCUBE**



Clip material: Corrosion resisting steel X12 CrNi 17 7

CLASS NO.		CLM-E18/PLT18		4322 021 01621		96-07-15
97-12-05						97-10-29
NAME NAAM	M.Veekens	SUPERS. VERV.	8222 294 45281	1 SH BL	112 - 001 010	<b>A4</b>
MPA	CHECK CONTR.	DAT.	96-07-15	Property of Eigendom van	© FERROXCUBE 2000	