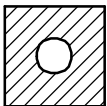
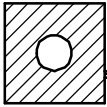


**FERROXCUBE**



1

2

3

4

a

b

c

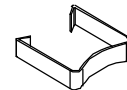
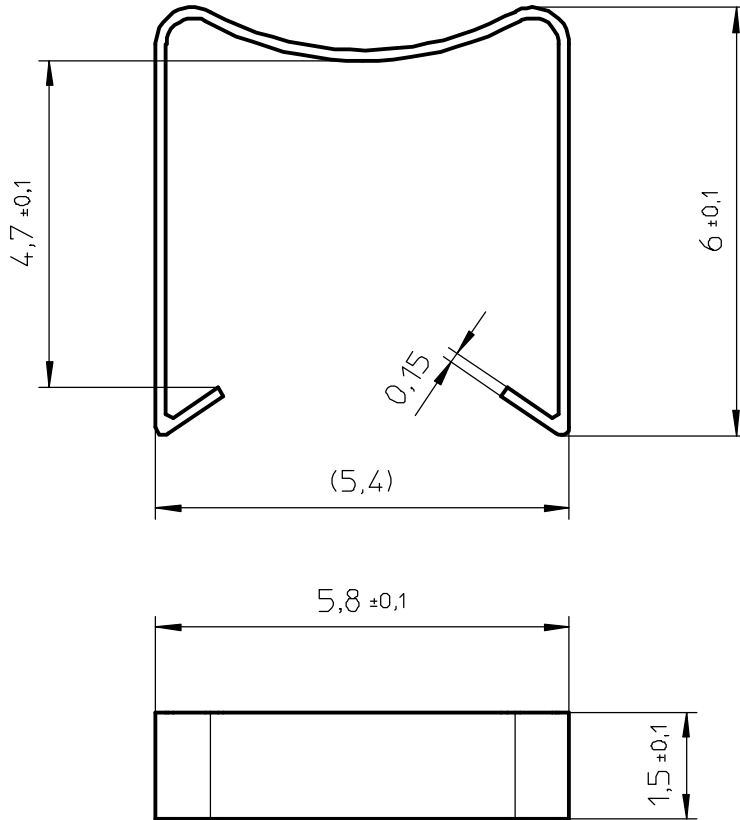
d

a

b

c

d



Material: CrNi Steel

CLASS NO.		CLM-E5,3/2		4322 021 01981		97-03-17	97-07-01
97-07-01							
NAME NAAM	J. JON	SUPERS. VERV.	8222 294 45751	1	SH BL	112 - 001	010
MPA	CHECK CONTR.	DAT.	97-03-17	Property of Eigendom van		© FERROXCUBE 2000	

**A4**