

1

2

3

4

a

b

c

d

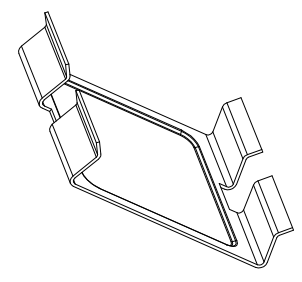
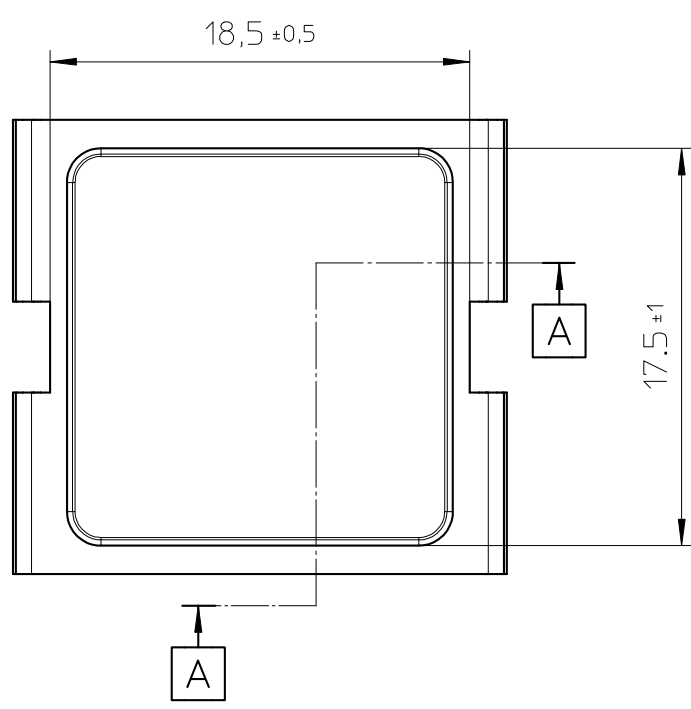
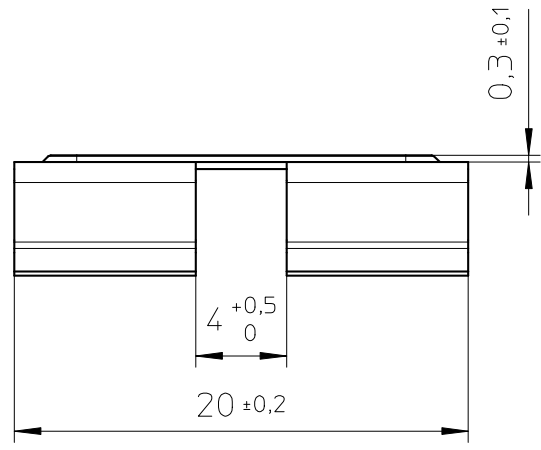
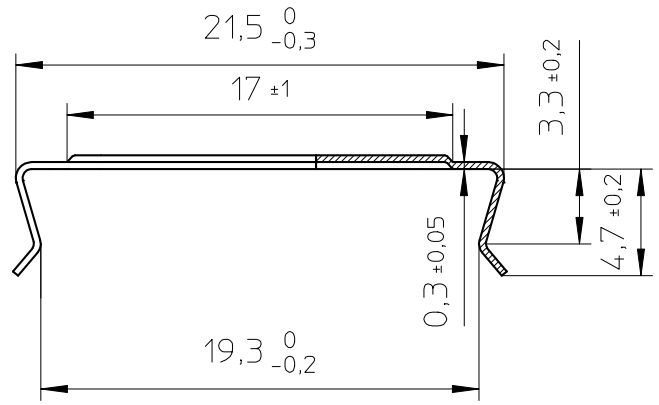
a

b

c

d

A-A



Material: corrosion resisting stel X12 CrNi 17 7

CLASS.NO.						97-03-17	
		CLM-EFD20		4322 021 02211		2000-01-21	
2000-01-21						2004-01-26	
						2007-09-19	
NAME NAAM	A.Wojtasz	SUPERS. VERV.	8222 294 45761	1	SH BL.	112 - 001	010
MPA	CHECK CONTR.	DAT.	97-03-17	Property of Eigendom van		© FERROXCUBE 2000	
							A4

