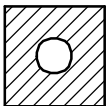
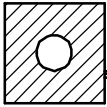
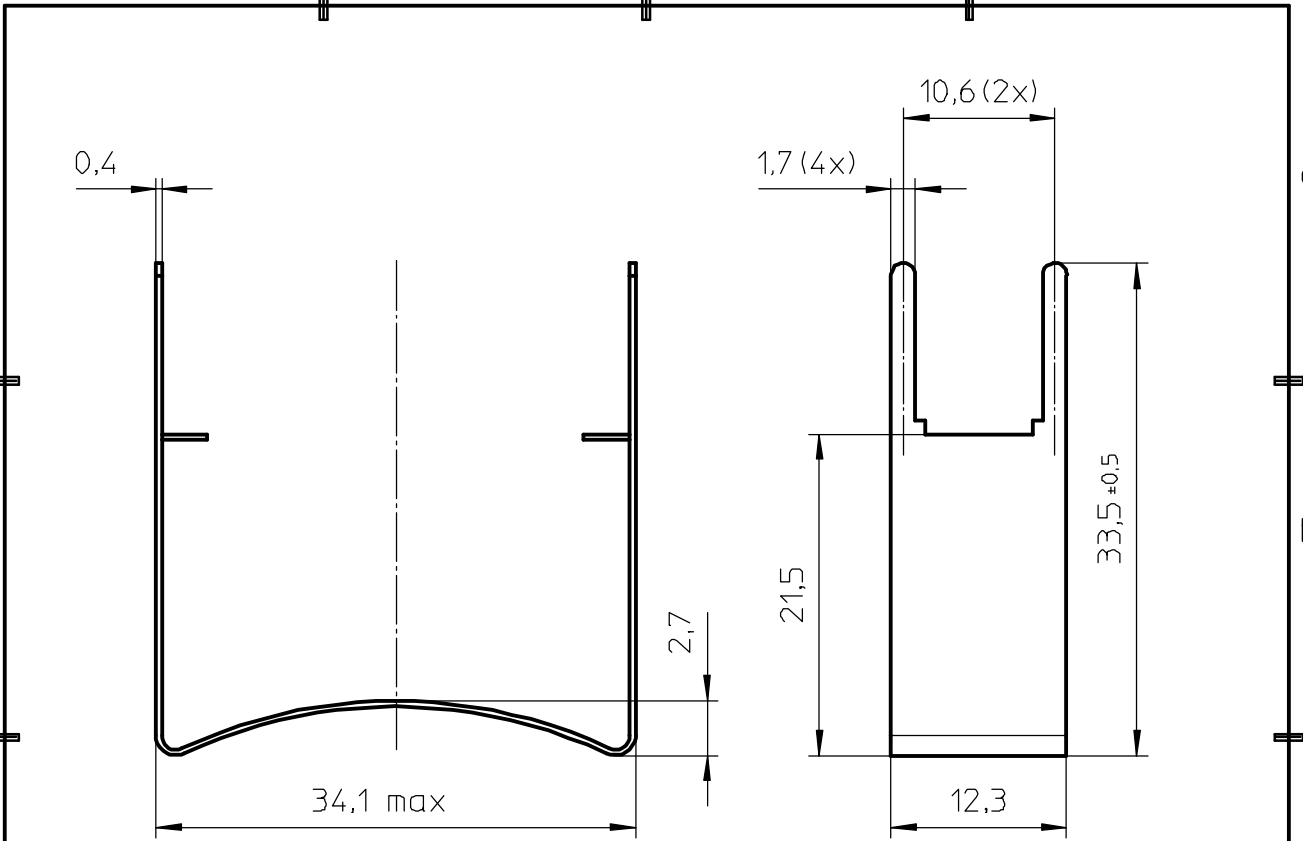


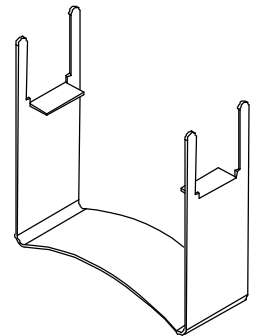
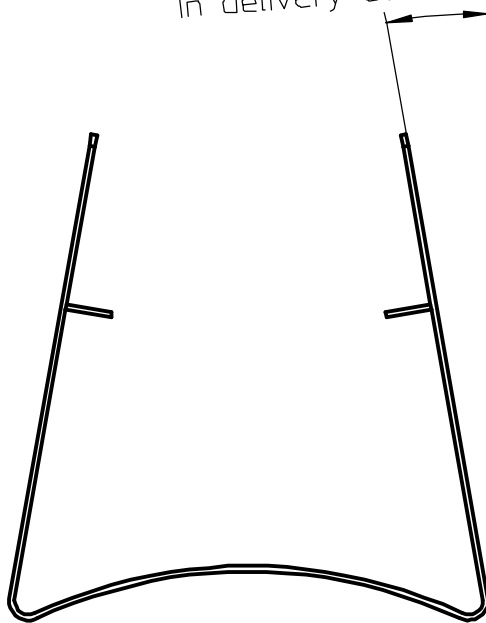
FERROXCUBE



1 2 3 4



In delivery condition max.10°(2x)



Material: phosphorbronz 0,4mm - Sn plated
 earthpins solderability acc. to IEC 60068-2-20 part2, Test Ta, method 1, 235°C - 2s

CLASS NO.		CLM/P-PQ32/20		4322 021 03881		2001-11-28	
NAME NAAM		SUPERV. VERV.		1 SH SH BL BL		112 - 001 010	
MPA		CHECK CONTR.		DAT. 2001-11-28		Property of Eigendom van © FERROXCUBE 2000	
						A4	