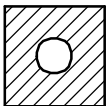
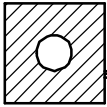
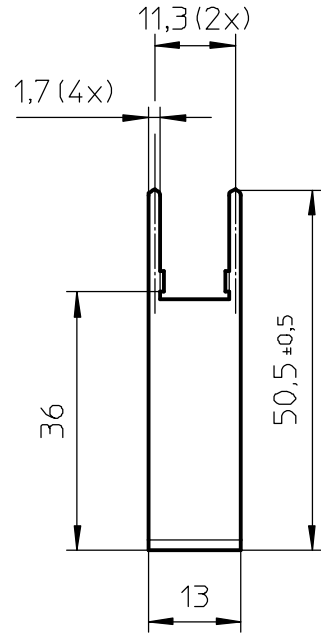
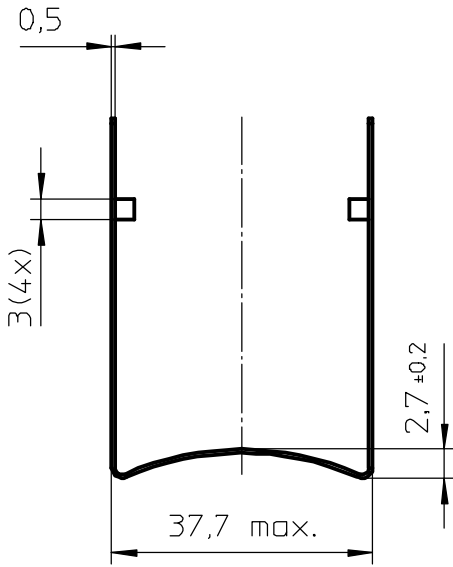


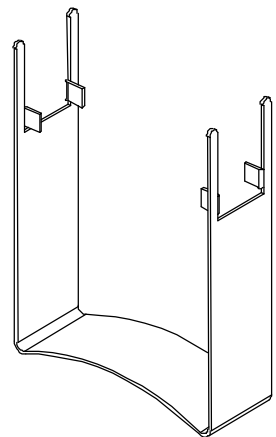
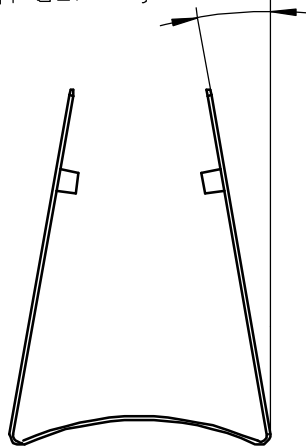
FERROXCUBE



1 2 3 4



In delivery condition max.10°(2x)



Material: phosphorbronce 0,5mm - Sn plated
earthpins solderability acc. to IEC 60068-2-20 part2, Test Ta, method 1, 235°C - 2s

CLASS NO.	CLM/P-PQ35/35		4322 021 03901		2001-11-28
NAME NAAM	M.Veekens	SUPERS. VERV.	1	SH BL	112 - 001 010
MPA	CHECK CONTR.	DAT.	2001-11-28	Property of Eigendom van	© FERROXCUBE 2000

A4