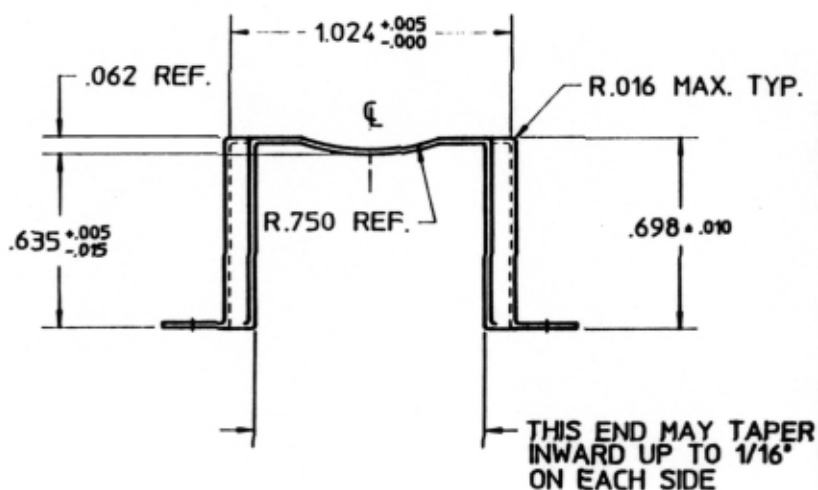
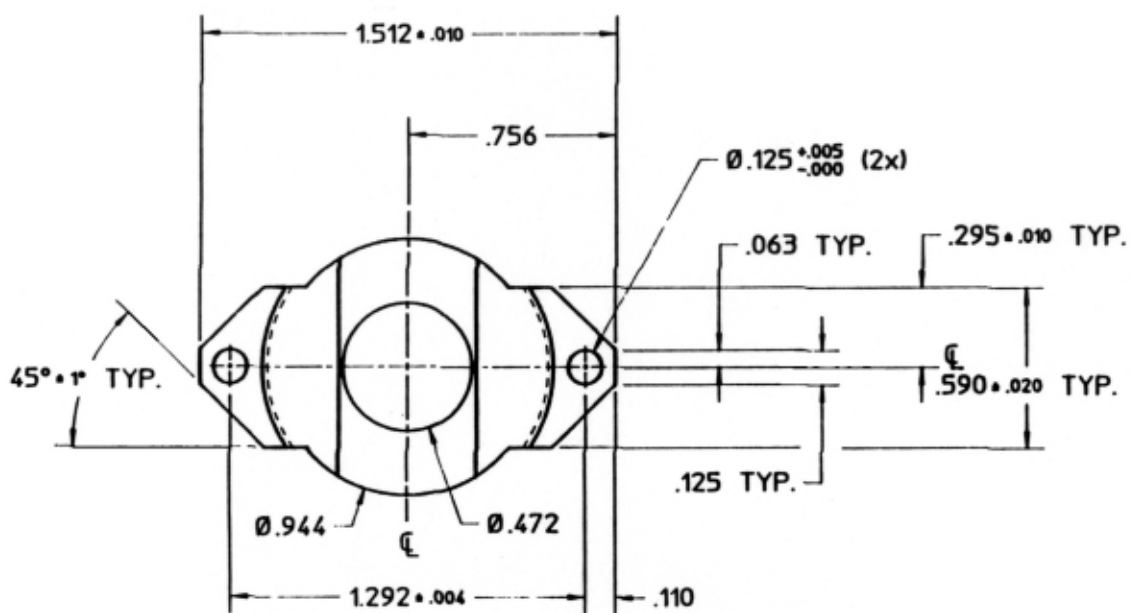
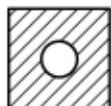
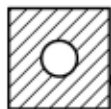


FERROXCUBE



Material: Brass 70/30 full hard, Zn plated

			01-06-01
	CLM/S-P26/16	4335 000 45221	