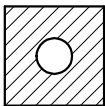
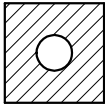


FERROXCUBE



1 2 3 4

a

b

c

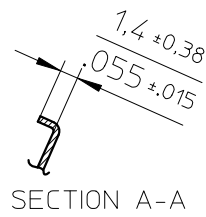
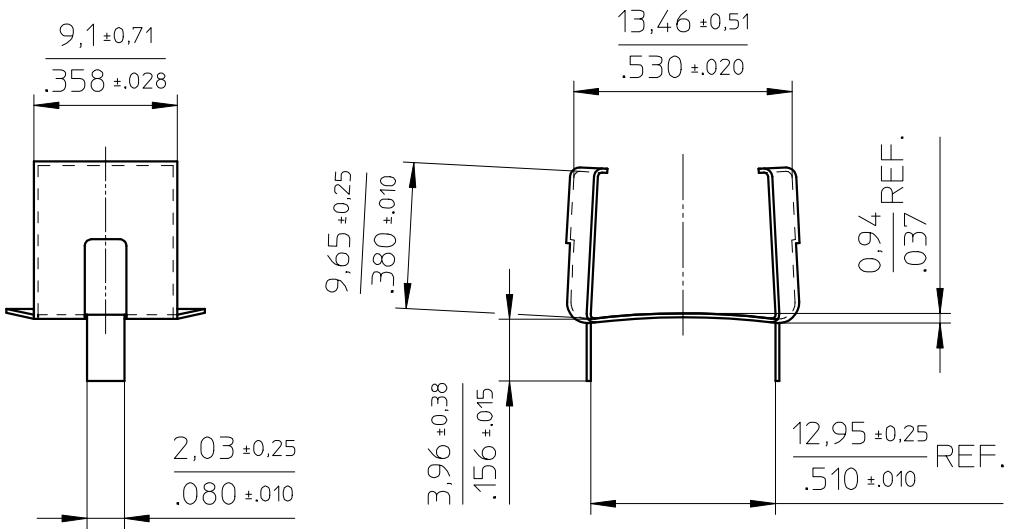
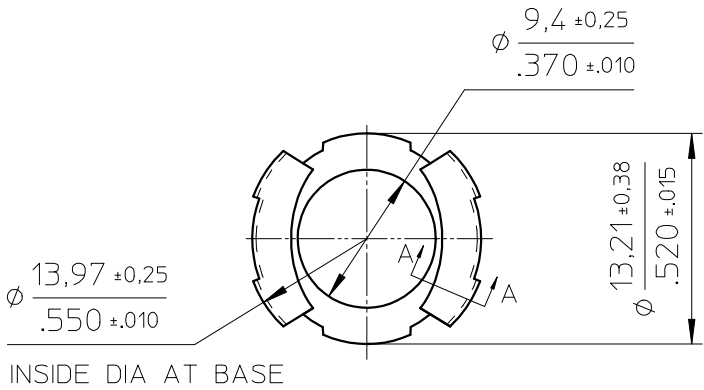
d

a

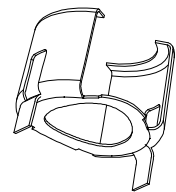
b

c

d



Material: High carbon steel springsteel thickness 0.011 inch (0.28 mm)
 austemper Hrc 44-51,
 Ni flash thickness 0.00006-0.00008 inch (1,5 - 2,0 μm)
 Sn electroplated thickness 0.00015-0.0002 inch (4 - 5 μm)



CLASS.NO.		CLM/TP-P14/8		4335 000 26151		01-06-01	
NAME NAAM	A.Wojtasz	SUPERS. VERV.		SH BL.	-		A4
MPA	CHECK CONTR.	DAT.	01-06-01	Property of Eigendom van	© FERROXCUBE 2000		

