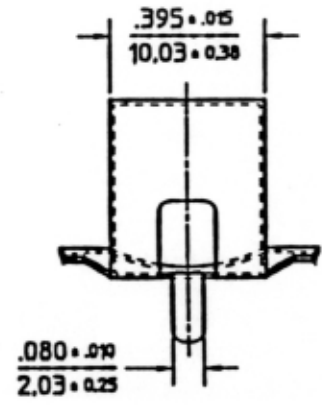
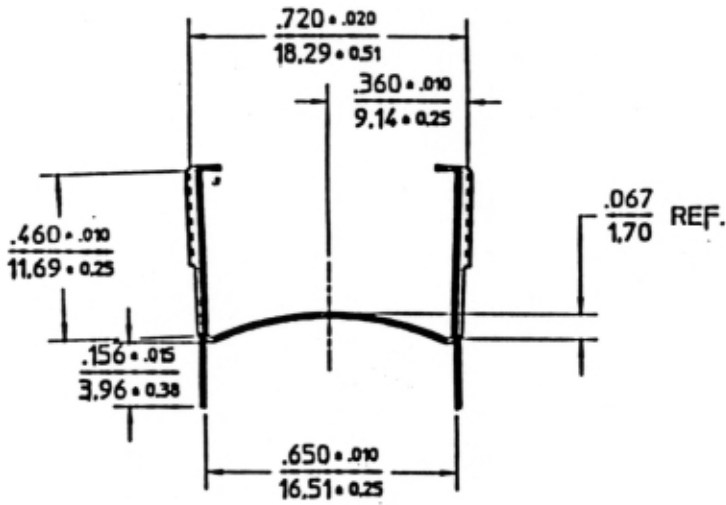
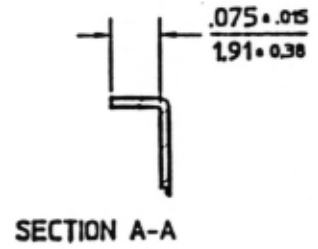
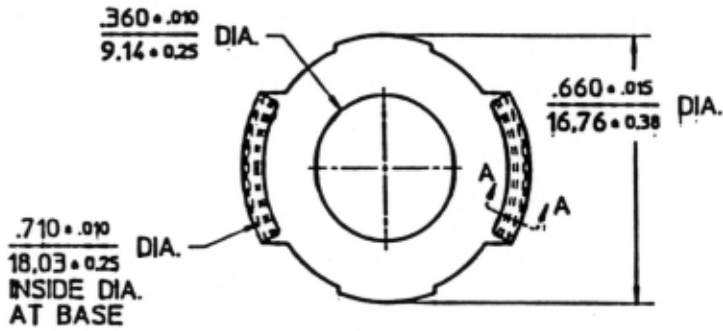
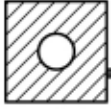


FERROXCUBE



Material: High carbon springsteel (thk 0.011") austemper HRC 34-37,
 Sn plated (0.00015 -0.0002")
 Solderability: acc to MIL-STD 202, method 208

				01-06-01	
		CLM/TP-P18/11		4335 000 26171	