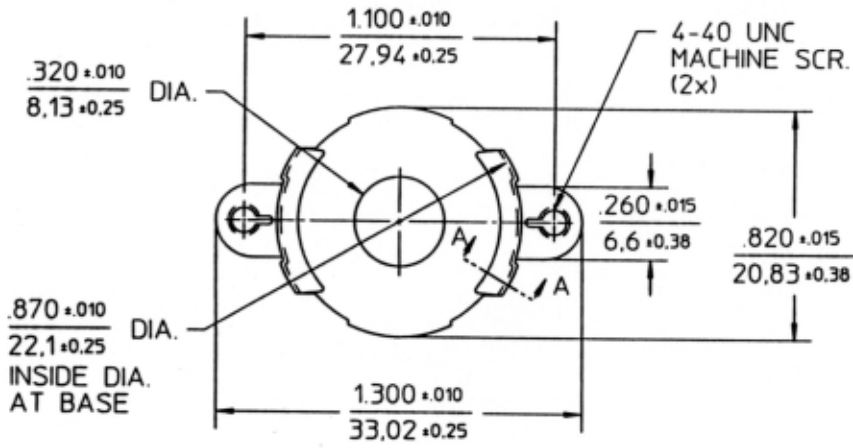
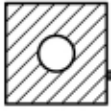


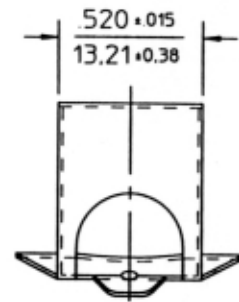
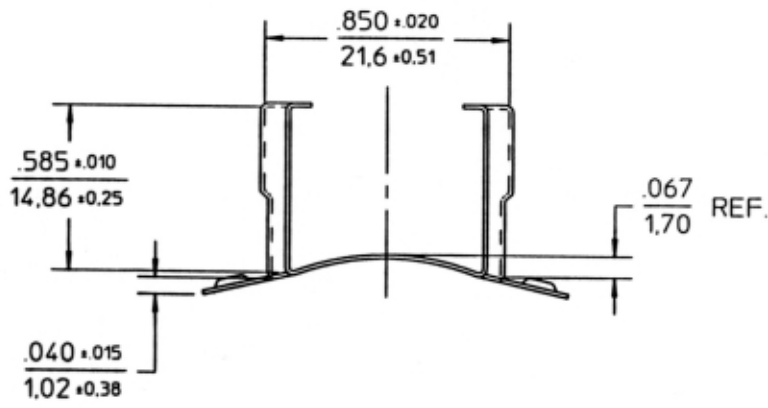
FERROXCUBE



$\frac{.075 \pm .015}{1.91 \pm 0.38}$



SECTION A-A
(ENLARGED)



Material: High carbon springsteel (thk 0.014") austemper HRC 42-44,
Sn plated (0.00015 -0.0002")

					01-06-01
		CLM/TS-P22/13		4335 000 26191	