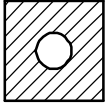


FERROXCUBE



1 2 3 4

a

b

c

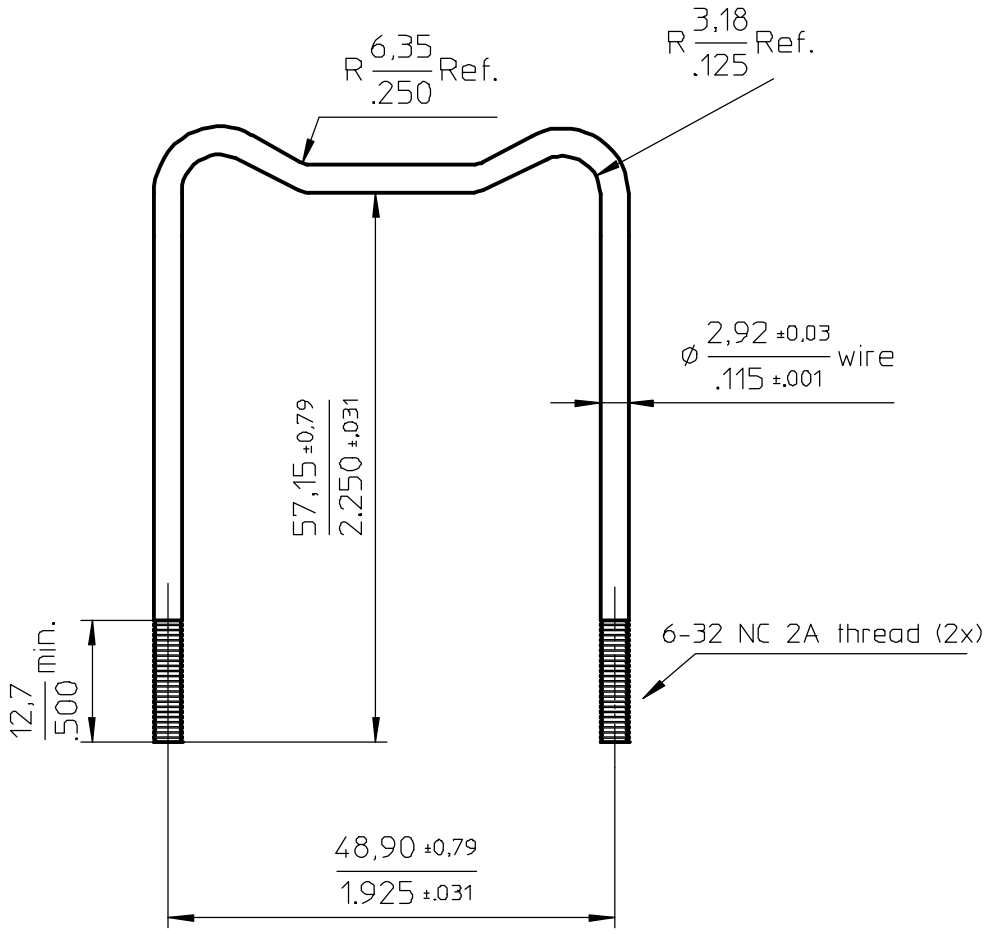
d

a

b

c

d



Material: Brass wire

CLASSNO.	CLM/U-EC52		4335 000 27211	01-06-01
				02-11-18
NAME NAAM	Tjon	SUPERS. VERV	001 SH BL	SH BL 112 - 01
MPA	CHECK CONTR.	DAT.	Property of Eigendom van	© FERROXCUBE 2000
				A4