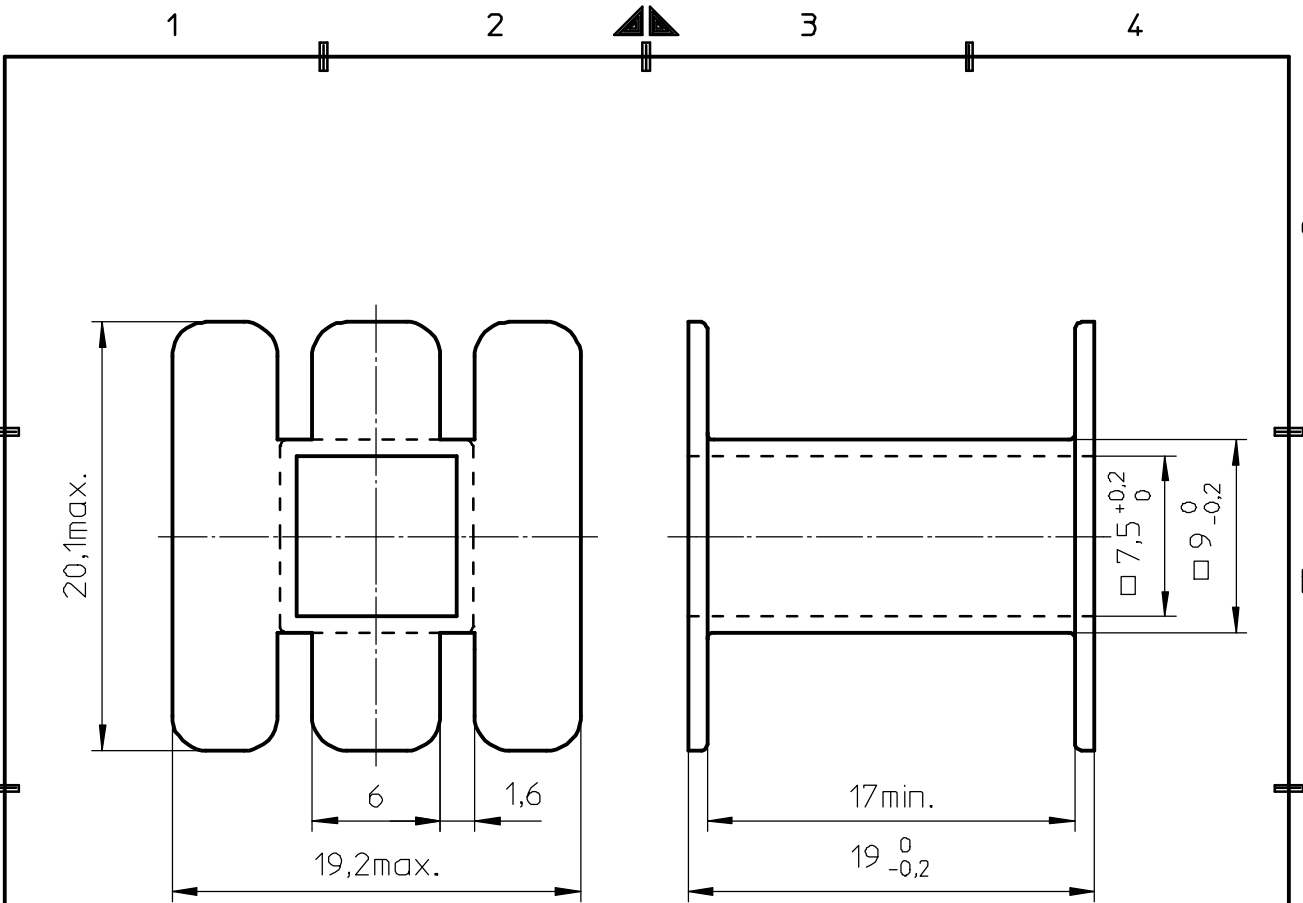
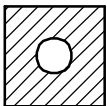
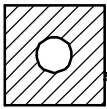


FERROXCUBE



Coil former material : Durethan AKV30H (PA6.6), glass reinforced.

UL file number: E41613 - UL94-HB.

Max. operating temp. : 130°C.

Winding area : 80 mm.²

Mean length of turn : 56 mm.

CLASS NO.		CP-E30/15/7-1S	4312 021 28553		91-11-22
97-02-14					92-01-24
NAME NAAM		M.Veekens		SUPERS. VERV.	1
MPA	CHECK CONTR.	DAT.	91-11-22	Property of Eigendom van	© FERROXCUBE 2000
				SH BL	112 - 001 010
				A4	