



a



b



c

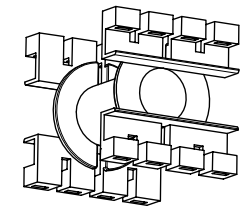
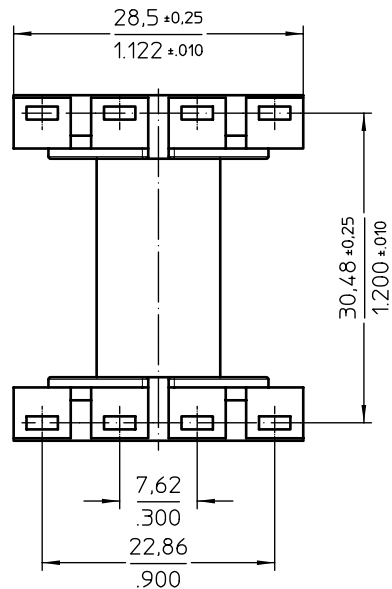
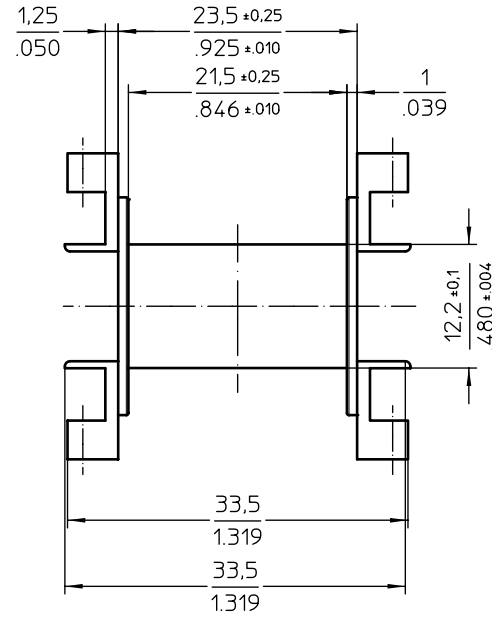
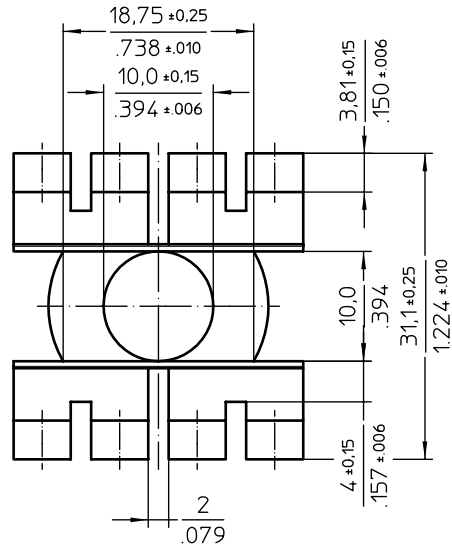
d

e

f



1 2 3 4 5 6 7 8



Available pins:  
4322 021 03741 PIN/H-EC  
4322 021 03751 PIN-EC

Coil former material: Technyl A-20V25 (PA6.6), glass-reinforced.  
UL file number: E44716(M) - UL94V-0.  
Max. operating temp.: acc. to IEC 60 085 class B, 130°C.

CLASSNO.		2001-06-05	
CP-EC35-1S		4322 021 03701	
NAME NAAM	M.Veekens	SUPERS. VERV.	4335 000 27341
MPA	CHECK CONTR.	DAT.	2001-06-05
Property of Eigendom van		1	112 - 001
© FERROXCUBE 2000		A3	

1 2 3 4

a

b

c

d

e

f

4