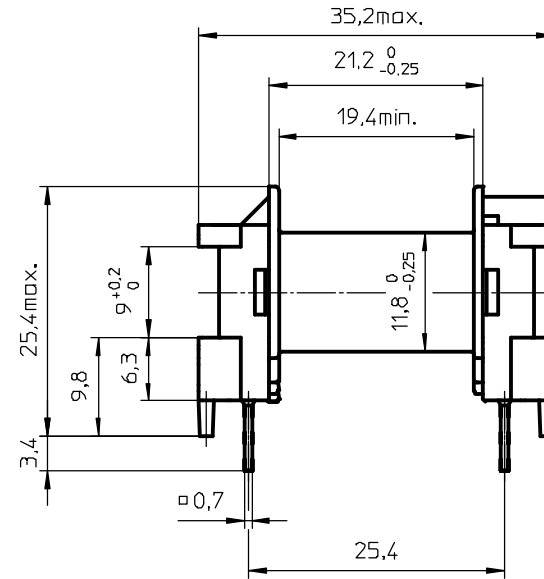
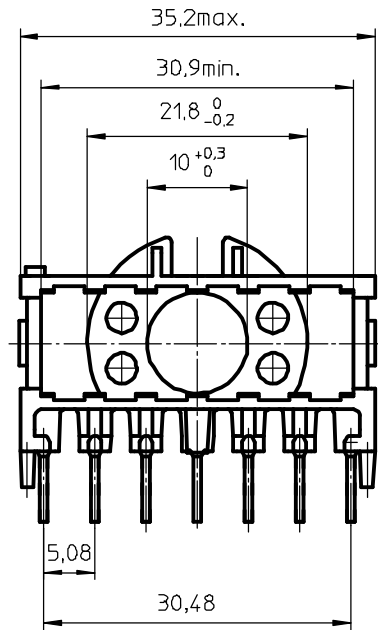
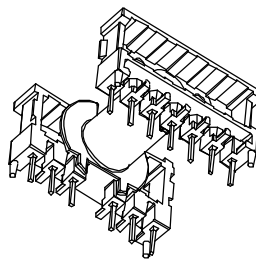
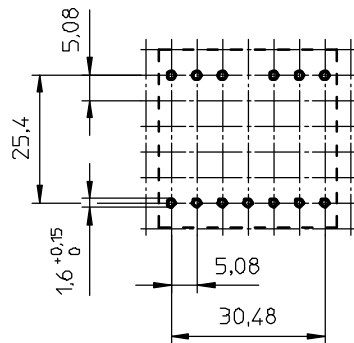


**FERROXCUBE**



**HOLE PATTERN:**



- Coil former material: Valax 420SEO (PBT), glass-reinforced.  
UL file number: E45329(R) - UL94V-0.
- Pin material: CuSn - Ni flash. Sn plated.
- Max. operating temp.: acc. to IEC 60 085 class F, 155°C.
- Resistance to soldering heat: acc. to IEC 60 068-2-20 Part 2, Test Tb, method 1B, 350°C-3.5s.
- Solderability: acc. to IEC 60 068-2-20 Part 2, Test Ta, method 1, 235°C-2s.
- Min. winding area: 95 mm<sup>2</sup>.
- Mean length of turn: 52 mm

CLASS NO.		98-07-30	
		00-05-11	
00-05-11		CPH-ETD29-1S-13P	
		4322 021 34381	
NAME H. Tobben	SUPERS VERV.	001	112 - 001
MPA	CHECK CONTR.	DATE 98-07-30	Property of Eigendoms van © FERROXCUBE 2000
			069
			<b>A3</b>