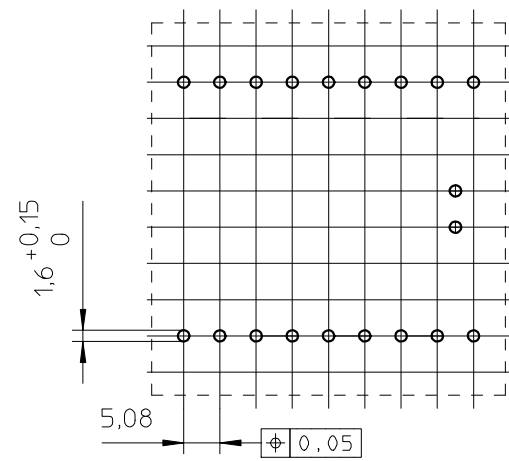
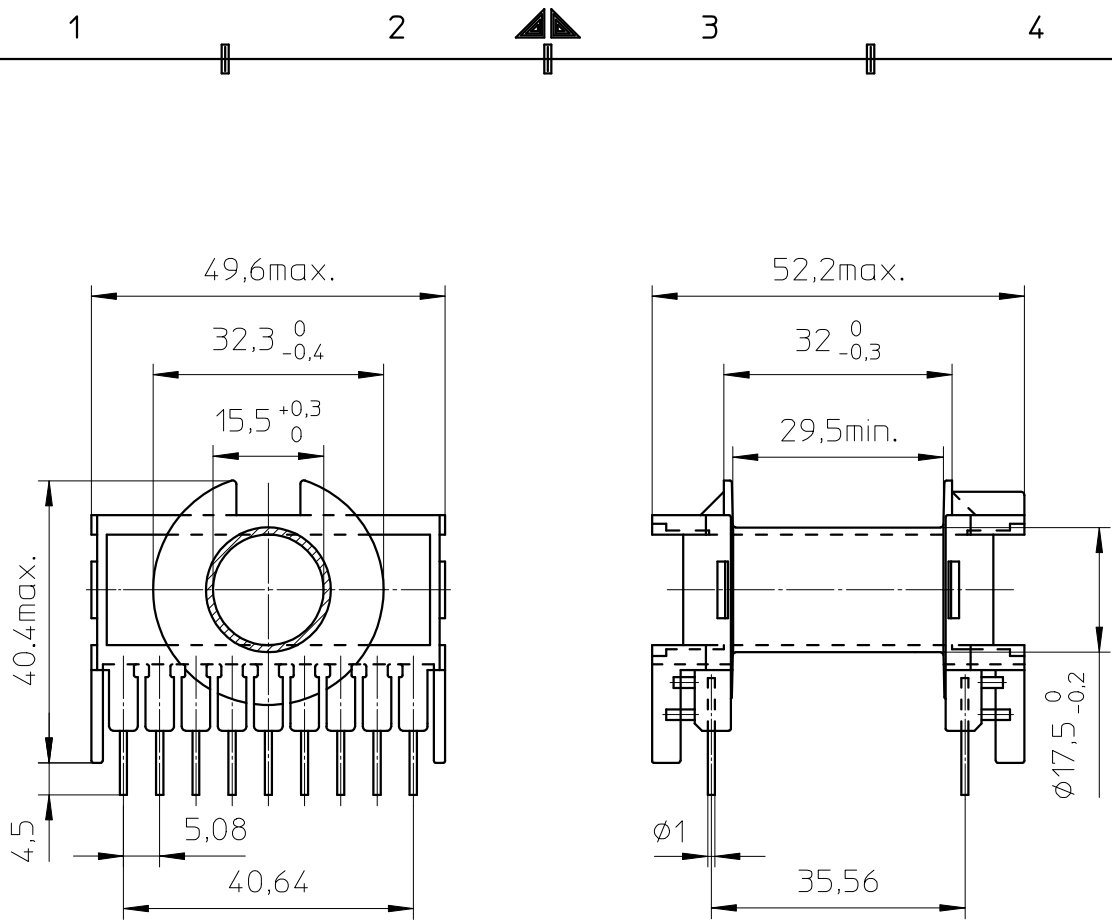
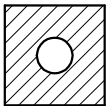
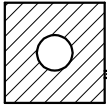


**FERROXCUBE**



Coil former material: Valox 420SEO (PBT), glass-reinforced.  
 UL file number: E45329(R) - UL94V-0.  
 Pin material: CuSn - Ni flash, Sn plated.  
 Max. operating temp.: acc. to IEC 60 085 class F, 155°C.  
 Resistance to soldering heat: acc. to IEC 60 068-2-20 Part 2, Test Tb, method 1B, 350°C - 3,5s.  
 Solderability: acc. to IEC 60 068-2-20 Part 2, Test Ta, method 1, 235°C - 2s.  
 Min. winding area: 214 mm<sup>2</sup>.  
 Mean length of turn: 77 mm.

CLASS.NO.		CPH-ETD44-1S-18P		4322 021 33872		90-10-08	
00-05-17						99-10-06	
						00-05-17	
NAME NAAM		J.Willems	SUPERS. VERV.	1	SH BL	112 - 001 010	A4
MPA	CHECK CONTR.	DAT.	83-02-08	Property of Eigendom van		© FERROXCUBE 2000	