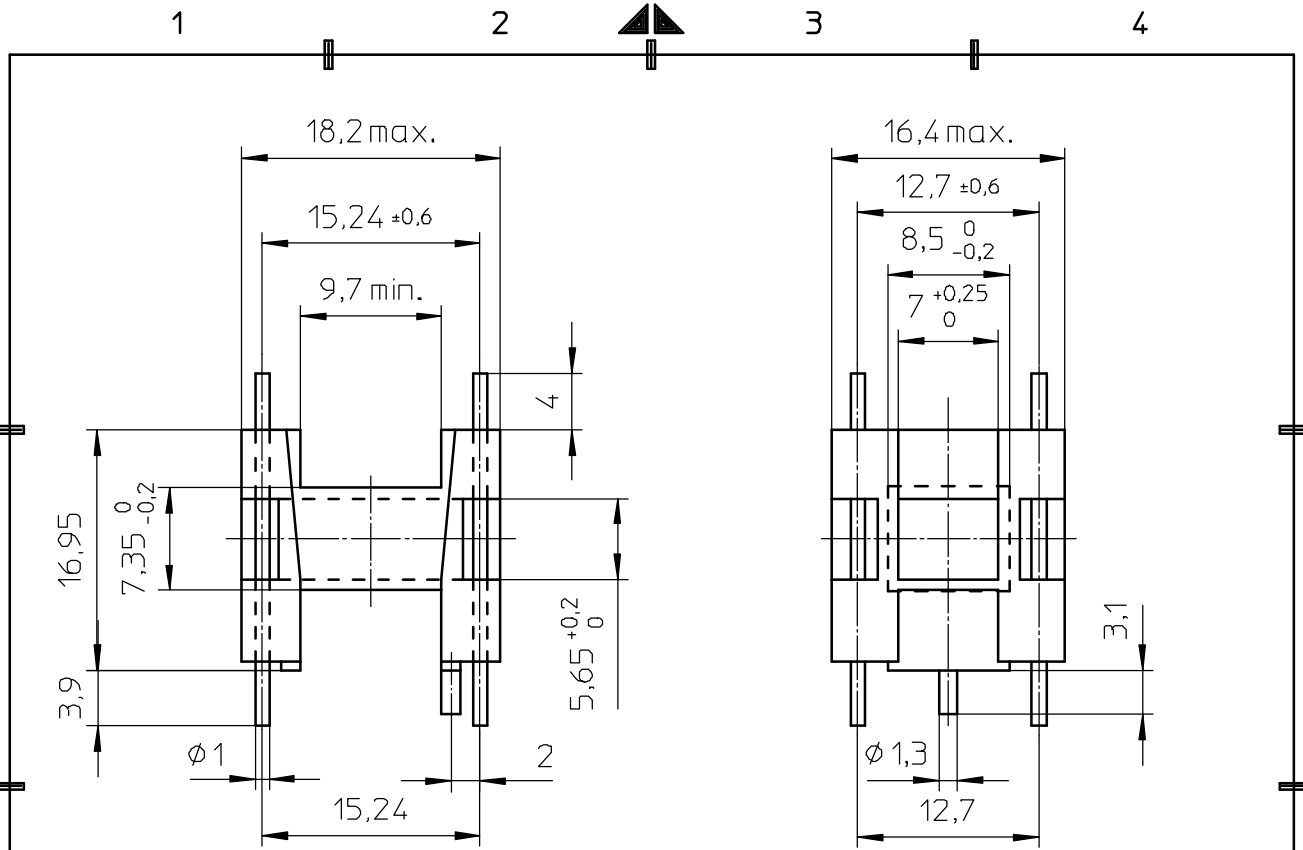
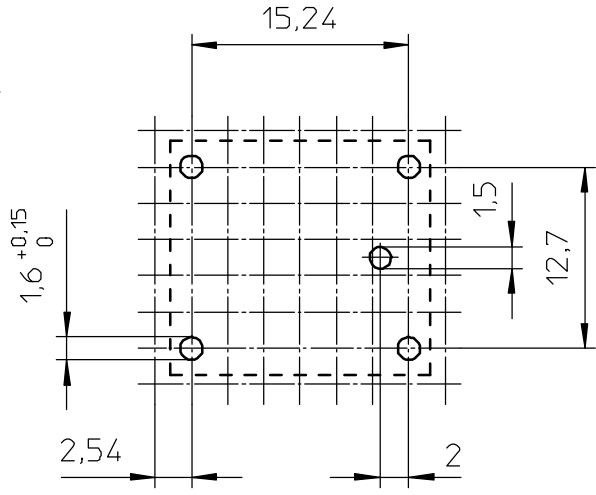


FERROXCUBE



HOLE PATTERN:



Coil former material: Rynite FR530 (PET), glass-reinforced.
 UL file number: E69578(M) - UL94V-0.
 Pin material: CuSn - Ni flash, Sn plated.
 Max. operating temp.: acc. to IEC 60 085 class F, 155°C.
 Resistance to soldering heat: acc. to IEC 60 068-2-20 Part 2, Test Tb, method 1B, 350°C-3.5s
 Solderability: acc. to IEC 60 068-2-20 Part 2, Test Ta, method 1, 235°C-2s
 Min. winding area: 37,3 mm²
 Mean length of turn: 48,7 mm.

CLASS NO.		CPH-U15/11/6-1S-4P			4322 021 01581		96-05-10
96-08-29							96-06-24
							96-08-29
							97-01-07
							2004-09-28
NAME NAAM MPA	M.Veekens	SUPERS. VERV.	1 SH BL	112	- 001	010	A4
CHECK CONTR.		DAT.	95-12-07	Property of Eigendom van		© FERROXCUBE 2000	