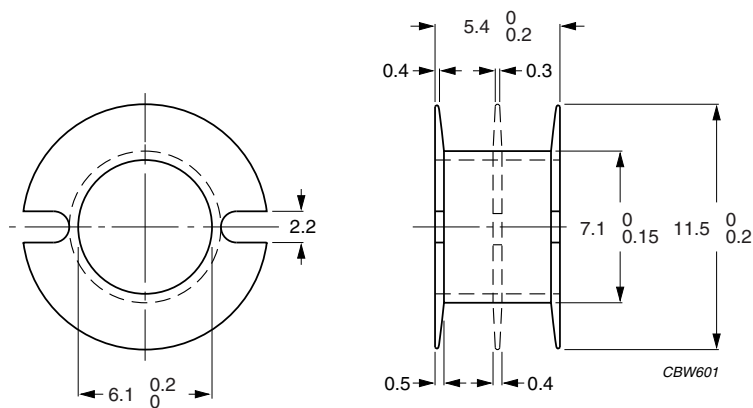


COIL FORMERS

General data for CP-P14/8 coil former

PARAMETER	SPECIFICATION
Coil former material	polybutyleneterephthalate (PBT), glass reinforced, flame retardant in accordance with "UL 94V-0"; UL file number E45329 (R)
Maximum operating temperature	155 C, "IEC 60085", class F



Dimensions in mm.

Fig.3 Coil former CP-P14/8.

Winding data for CP-P14/8 coil former

NUMBER OF SECTIONS	WINDING AREA (mm ²)	MINIMUM WINDING WIDTH (mm)	AVERAGE LENGTH OF TURN (mm)	TYPE NUMBER
1	8.8	4.1	28.9	CP-P14/8-1S
2	2 4.0	2 1.85	28.9	CP-P14/8-2S