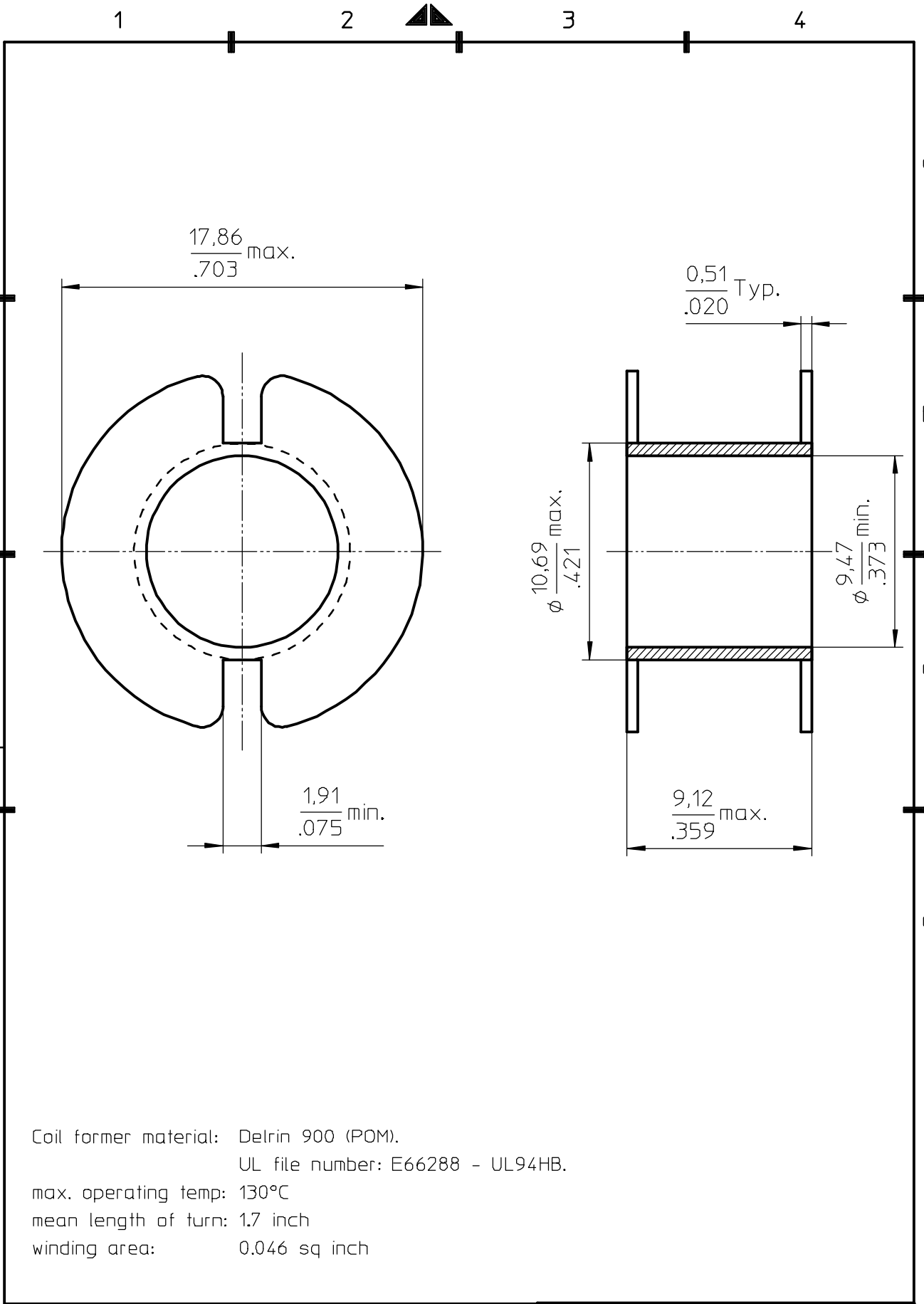
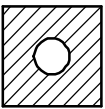
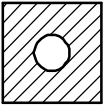


FERROXCUBE



Coil former material: Delrin 900 (POM).
 UL file number: E66288 - UL94HB.
 max. operating temp: 130°C
 mean length of turn: 1.7 inch
 winding area: 0.046 sq inch

CP-P22/13-1S-A			4335 000 26101		01-06-01	
					02-11-04	
NAME NAAM		JON	SUPERS. VERV	1 SH BL	SH BL	112 - 001
MPA		CHECK CONTR.	DAT.	Property of Eigendom van		© FERROXCUBE 2002
						A4