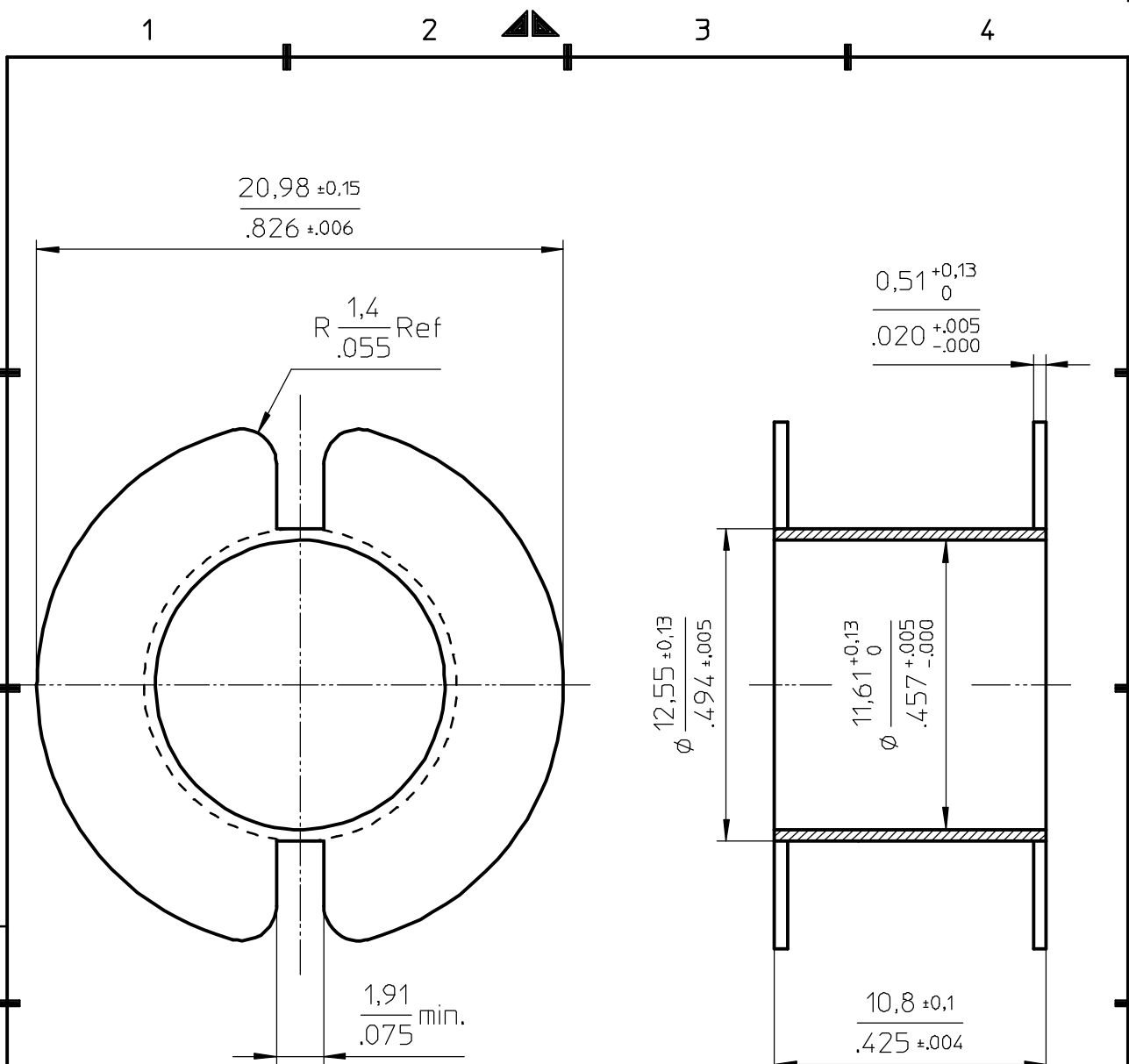
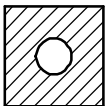
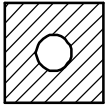


FERROXCUBE



Coil former material: Delrin 900 (POM).
 UL file number: E66288 - UL94HB.

		CP-P26/16-1S-A		4335 000 26201		01-06-01
						02-11-04
NAME NAAM		JON	SUPERS. VERV	1 SH BL	SH BL	112 - 001
MPA		CHECK CONTR.	DAT.	Property of Eigendom van		© FERROXCUBE 2002
						A4