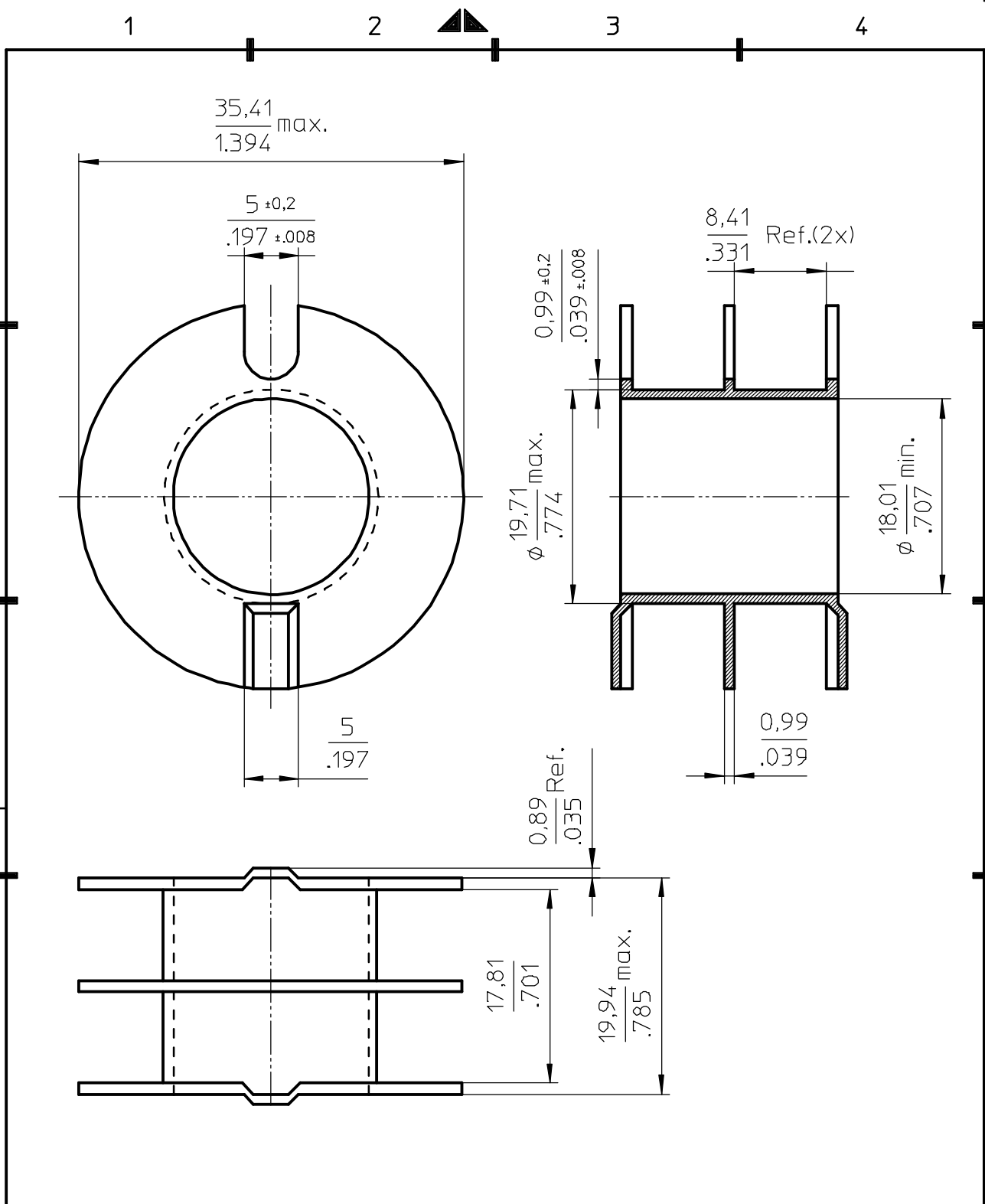
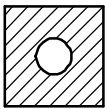
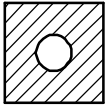


FERROXCUBE



Coil former material: Delrin 900 (POM).
 UL file number: E66288 - UL94HB.
 max. operating temp: 130°

CLASSNO.		CP-P42/29-2S-A		4335 000 26301		01-06-01
						02-11-04
NAME NAAM	Tjon	SUPERS. VERV	1	SH BL	SH BL	112 - 001
MPA	CHECK CONTR.	DAT.	Property of Eigendom van		© FERROXCUBE 2000	
						A4