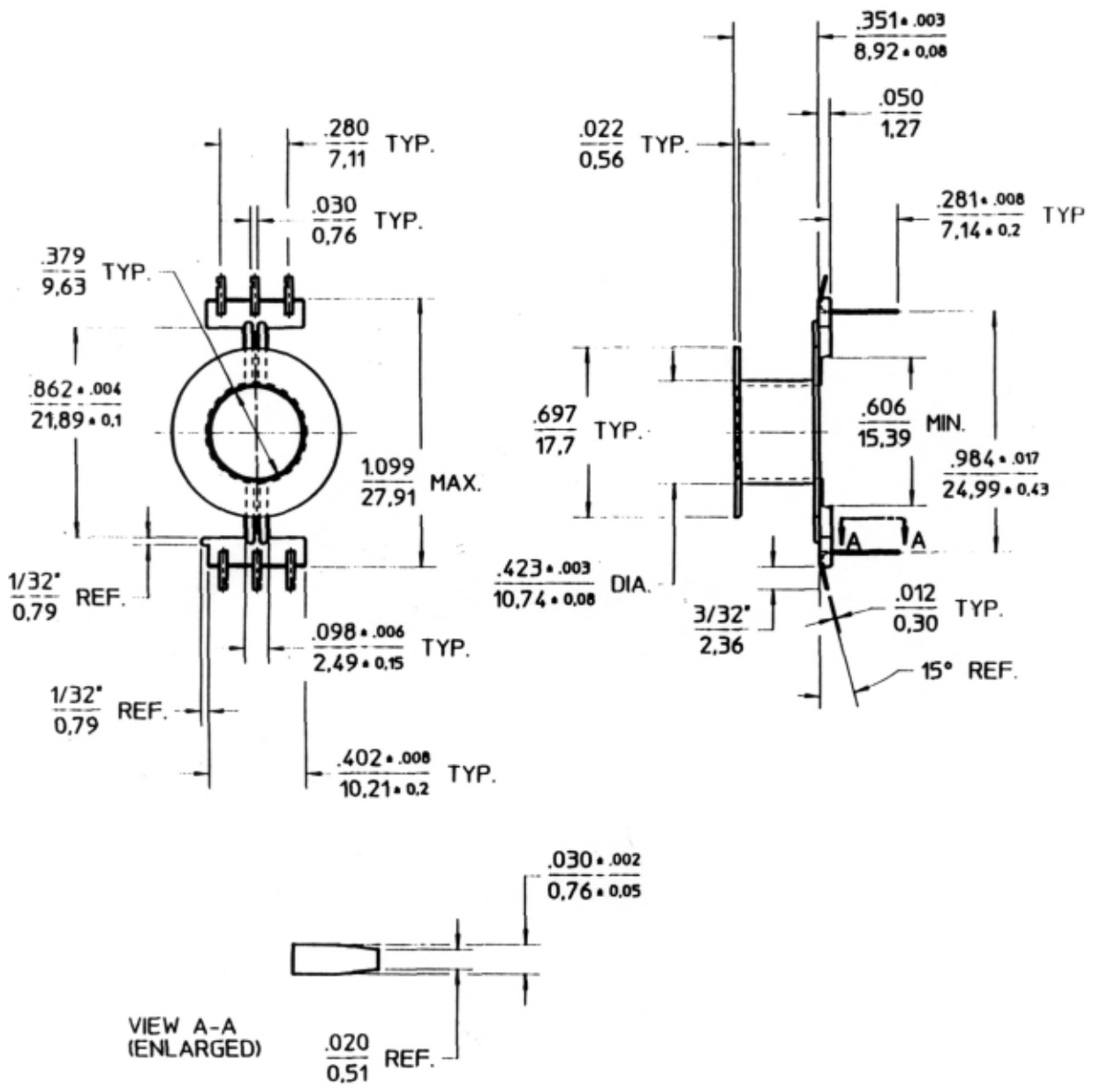


**FERROXCUBE**



Coilformer material: Zytel FR50 (PA), glass-reinforced  
 UL file number: E41938 - UL94V-0  
 Pin material: 70/30 Brass, SnPb plated  
 Solderability: acc. to MIL-STD 202, method 208  
 Mean length of turn: 1.759 inch  
 Winding area: 0.042 sq inch

				01-06-01
		<b>CPV-P22/13-1S-6PDL</b>	<b>4335 000 26531</b>	