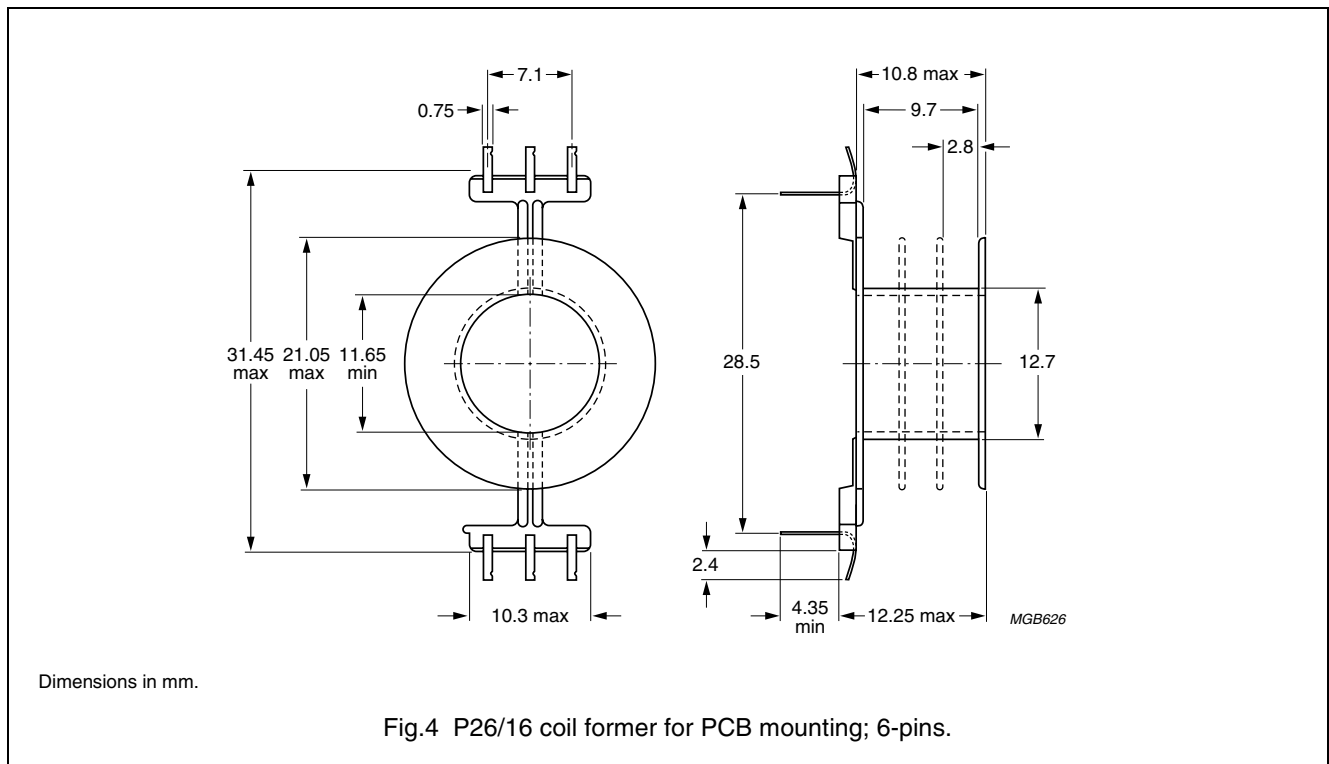


**General data 6-pins P26/16 coil former for PCB mounting**

| PARAMETER                     | SPECIFICATION                                                                                                |
|-------------------------------|--------------------------------------------------------------------------------------------------------------|
| Coil former material          | polyamide (PA6.6), glass reinforced, flame retardant in accordance with "UL 94V-0"; UL file number E41938(M) |
| Maximum operating temperature | 130 C, "IEC 60085", class B                                                                                  |
| Pin material                  | copper-zinc alloy (CuZn), tin-lead alloy (SnPb) plated                                                       |
| Resistance to soldering heat  | "IEC 60068-2-20", Part 2, Test Tb, method 1B, 350 C, 3.5 s                                                   |
| Solderability                 | "IEC 60068-2-20", Part 2, Test Ta, method 1, 235 C, 2 s                                                      |



**Data for 6-pins P26/16 coil former for PCB mounting**

| NUMBER OF SECTIONS | MINIMUM WINDING AREA (mm <sup>2</sup> ) | NOMINAL WINDING WIDTH (mm) | AVERAGE LENGTH OF TURN (mm) | MINIMUM LENGTH OF PINS (mm) | TYPE NUMBER                       |
|--------------------|-----------------------------------------|----------------------------|-----------------------------|-----------------------------|-----------------------------------|
| 1                  | 36.7                                    | 9.7                        | 52.7                        | 4.4                         | CPV-P26/16-1S-6PD                 |
| 1                  | 36.7                                    | 9.7                        | 52.7                        | 6.8                         | CPV-P26/16-1S-6PDL                |
| 2                  | 2 16.6                                  | 2 4.5                      | 52.7                        | 4.4                         | CPV-P26/16-2S-6PD                 |
| 2                  | 2 16.6                                  | 2 4.5                      | 52.7                        | 6.8                         | CPV-P26/16-2S-6PDL                |
| 3                  | 3 10.3                                  | 3 2.8                      | 52.7                        | 4.4                         | CPV-P26/16-3S-6PD <sup>(1)</sup>  |
| 3                  | 3 10.3                                  | 3 2.8                      | 52.7                        | 6.8                         | CPV-P26/16-3S-6PDL <sup>(1)</sup> |

**Note**

1. In accordance with "UL 94-HB".