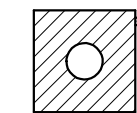


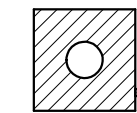
**FERROXCUBE**



c



d



e

f



Dimensions [  $\frac{\text{mm}}{\text{inch}}$  ]

1

2

3

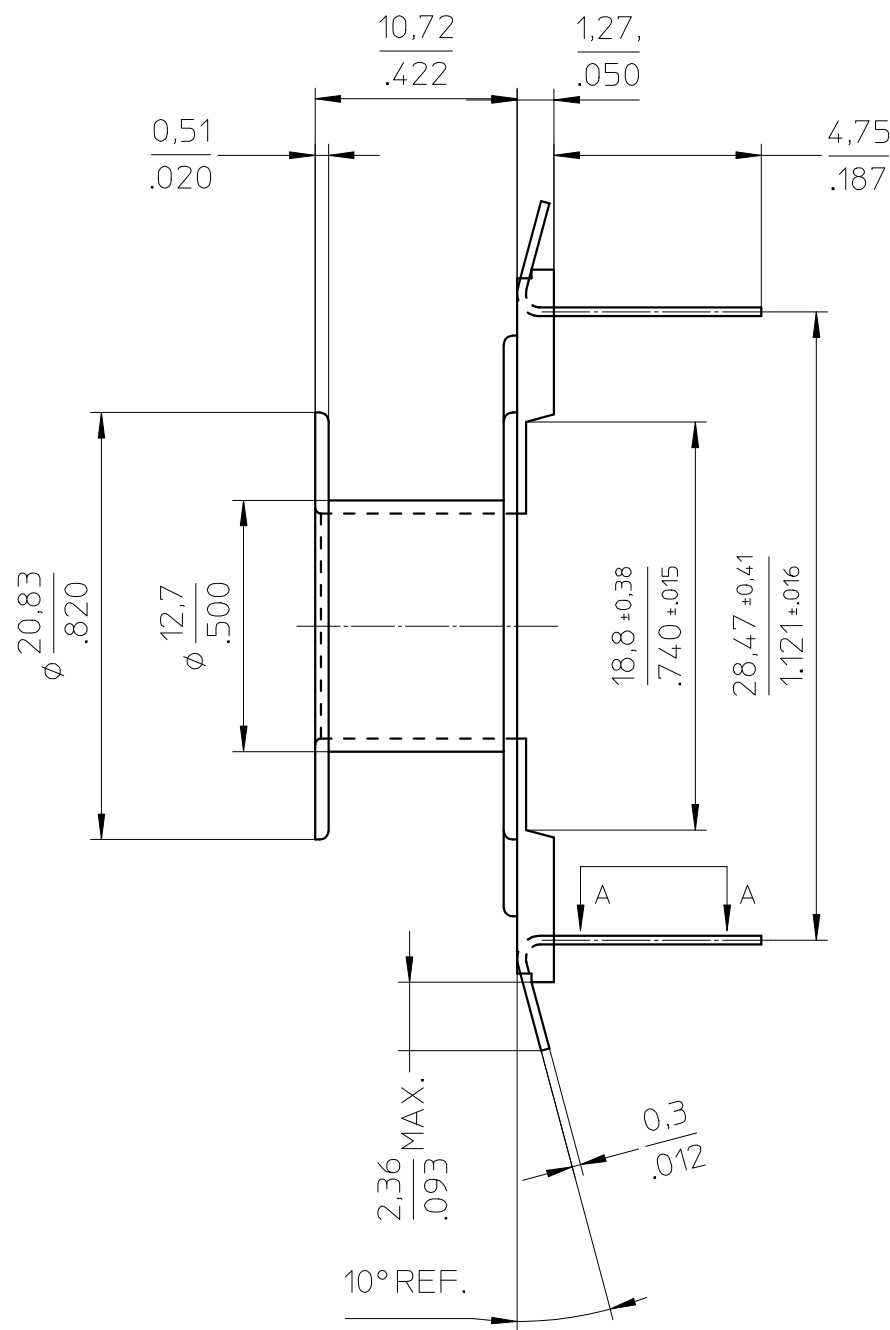
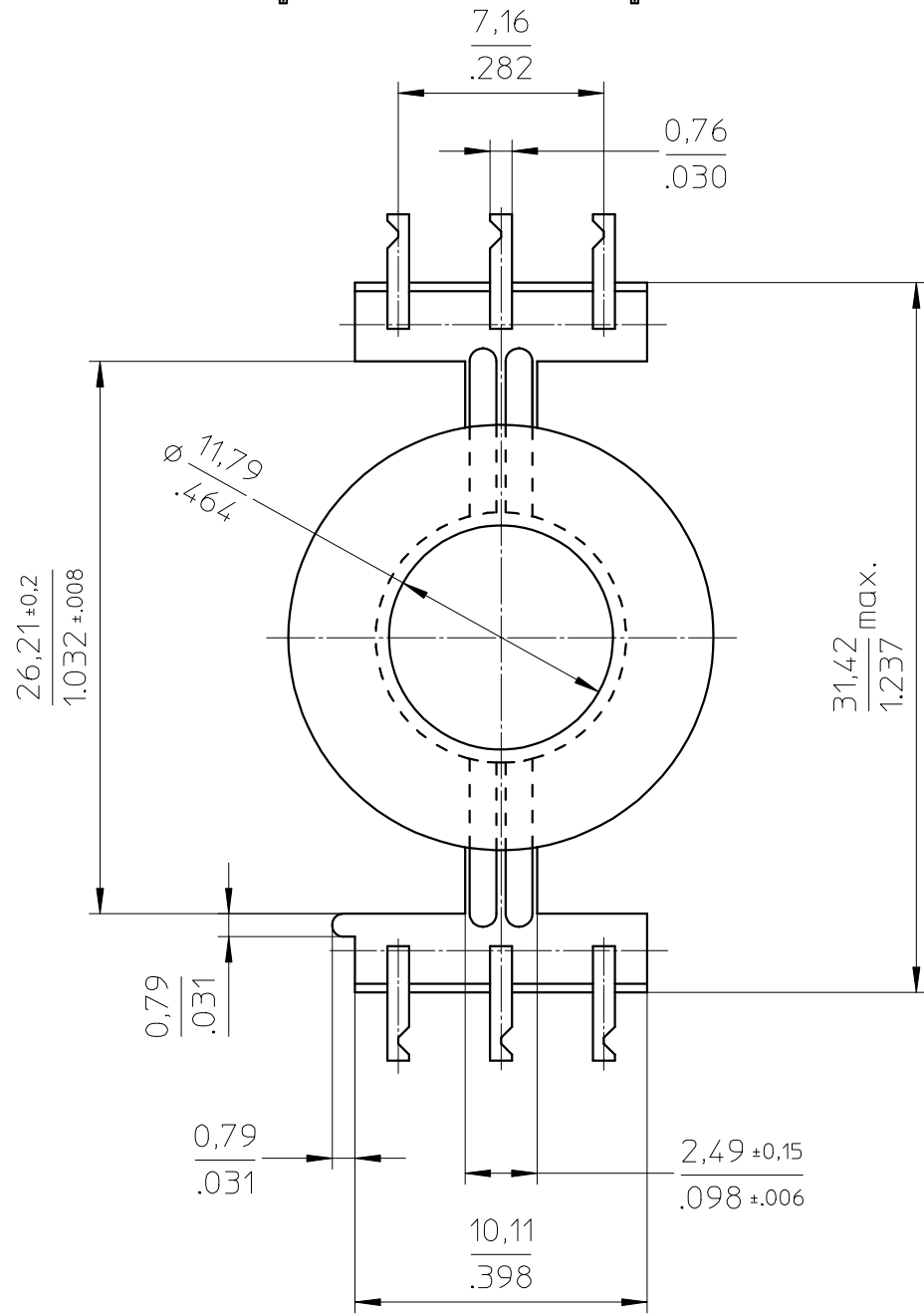
4

5

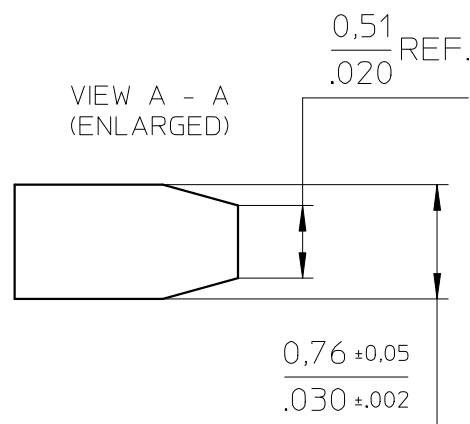
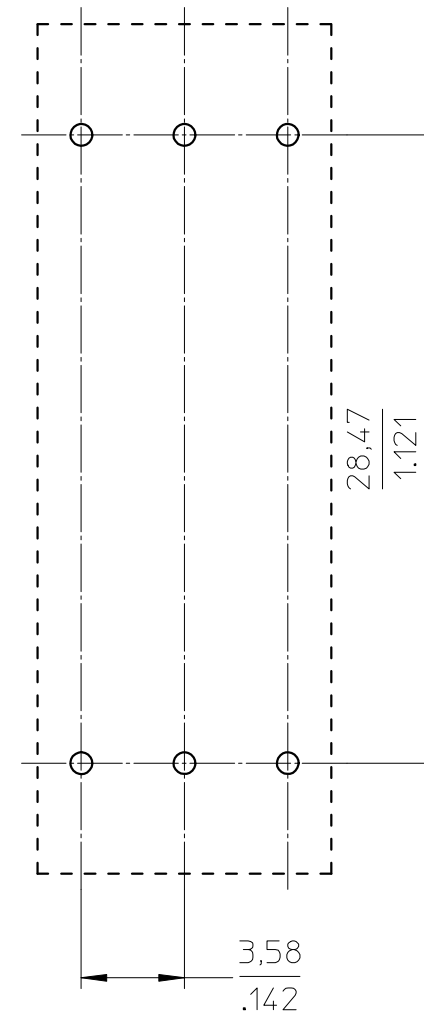
6

7

8



Grid pattern



Coil former material: Zytel FR50 (PA6.6), glass-reinforced.  
 UL file number: E41938 - UL94V-0.  
 max. operating temp: 130°C, class B  
 pin material: brass, Ni flash, Sn plated.  
 solderability: acc. to IEC 60 068-2-20 part2, Test Ta method 1, 235°C-2sec.  
 mean length of turn: 2.073 inch (52.7 mm)  
 winding area: 0.061 sq. inch (39.4 mm<sup>2</sup>)

CLASS.NO.	CPV-P26/16-1S-6PD-Z		4335 060 26581	06-04-19
NAME NAAM	A.Wojtasz	SUPERS. VERV.	SH SH BL BL 112 - 001	A3
MPA	CHECK CONTR.	DAT.	Property of Eigendom van	© FERROXCUBE 2000
		06-01-19		