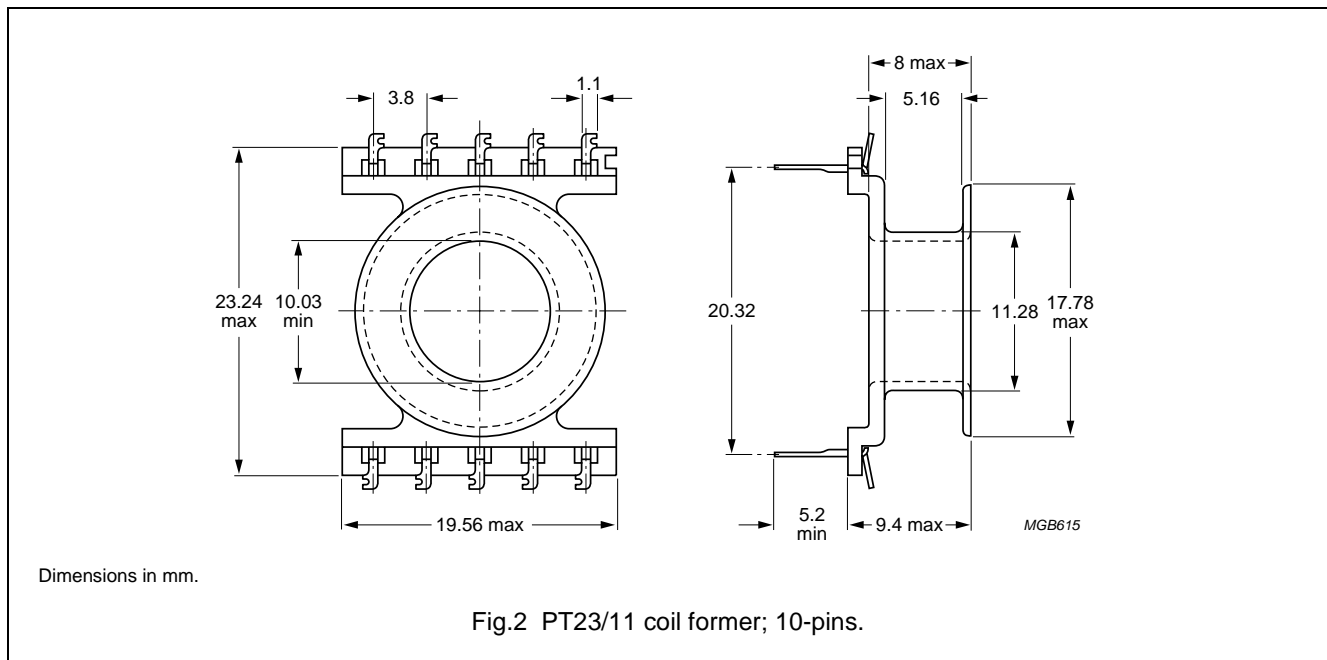


COIL FORMERS

General data 10-pins PT23/11 coil former

PARAMETER	SPECIFICATION
Coil former material	polyamide (PA), glass-reinforced, flame retardant in accordance with "UL 94V-0"; UL file number E41938(M)
Pin material	copper-tin alloy (CuSn), tin alloy (Sn) plated
Maximum operating temperature	130 °C, "IEC 60085" class B
Resistance to soldering heat	"IEC 68-2-20", Part 2, Test Tb, method 1B, 350 °C, 3.5 s
Solderability	"IEC 68-2-20", Part 2, Test Ta, method 1



Winding data for 10-pins PT23/11 coil former

NUMBER OF SECTIONS	MINIMUM WINDING AREA (mm ²)	NOMINAL WINDING WIDTH (mm)	AVERAGE LENGTH OF TURN (mm)	TYPE NUMBER
1	15.1	5.2	45.2	CPV-PT23/11-1S-10P