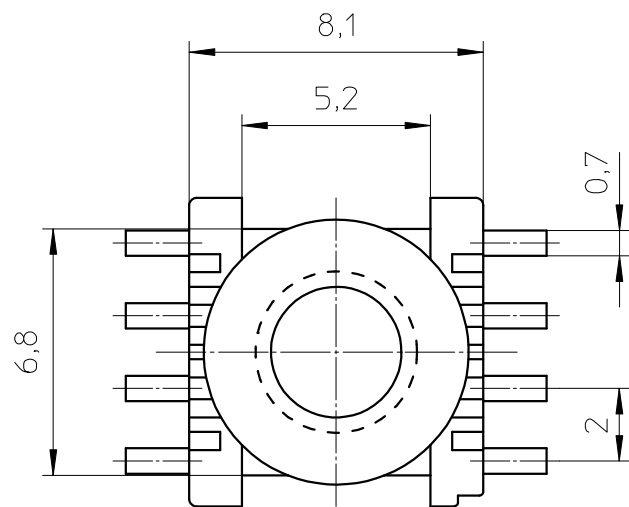
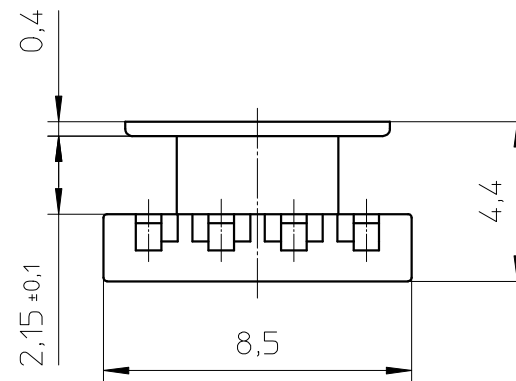
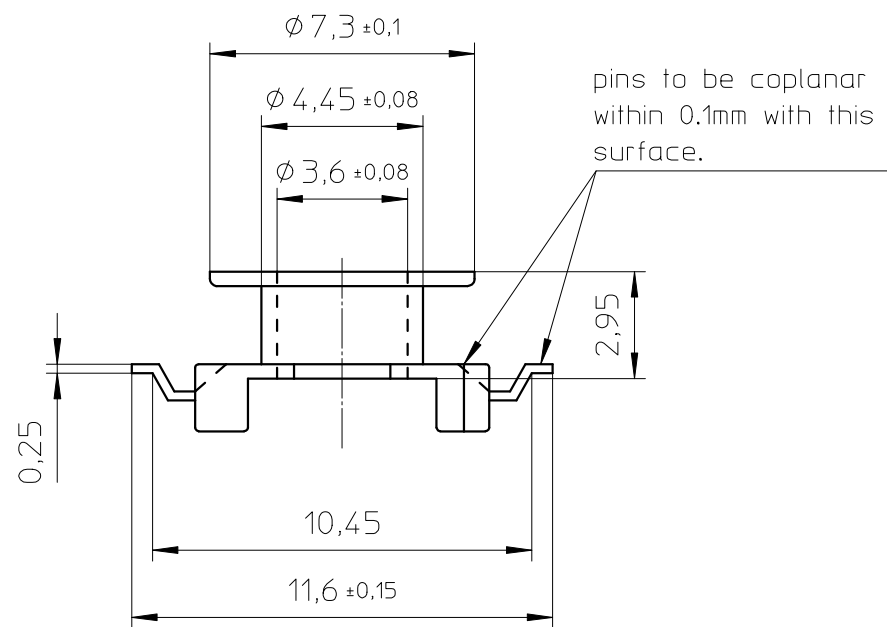


FERROXCUBE



Coil former material: Sumikasuper E4008 (LCP), glass-reinforced.
 UL file number: E54705(M) - UL94V-0
 Pin material: CuSn - Ni flash, Sn plated.
 Max. operating temp.: acc. to IEC 85 class F, 155°C.
 Resistance to soldering heat: acc. to IEC 68-2-20 Test Ta, method 1B, 350°C - 3,5sec.
 Solderability: acc. to IEC 68-2-20 Part 2, Test Ta, method 1, 235°C - 2sec.
 Min. winding area: 2,8 mm².
 Mean length of turn: 18,4 mm.

CLASS.NO.	CPVS-ER9,5-1S-8P-C		4322 021 04491		09-05-05	27-09-05
NAME NAAM	M.Veekens	SUPERS. VERV.	1	SH BL.	112 - 001	069
MPA	CHECK CONTR.	DAT.	09-05-05	Property of Eigendom van	© FERROXCUBE 2000	