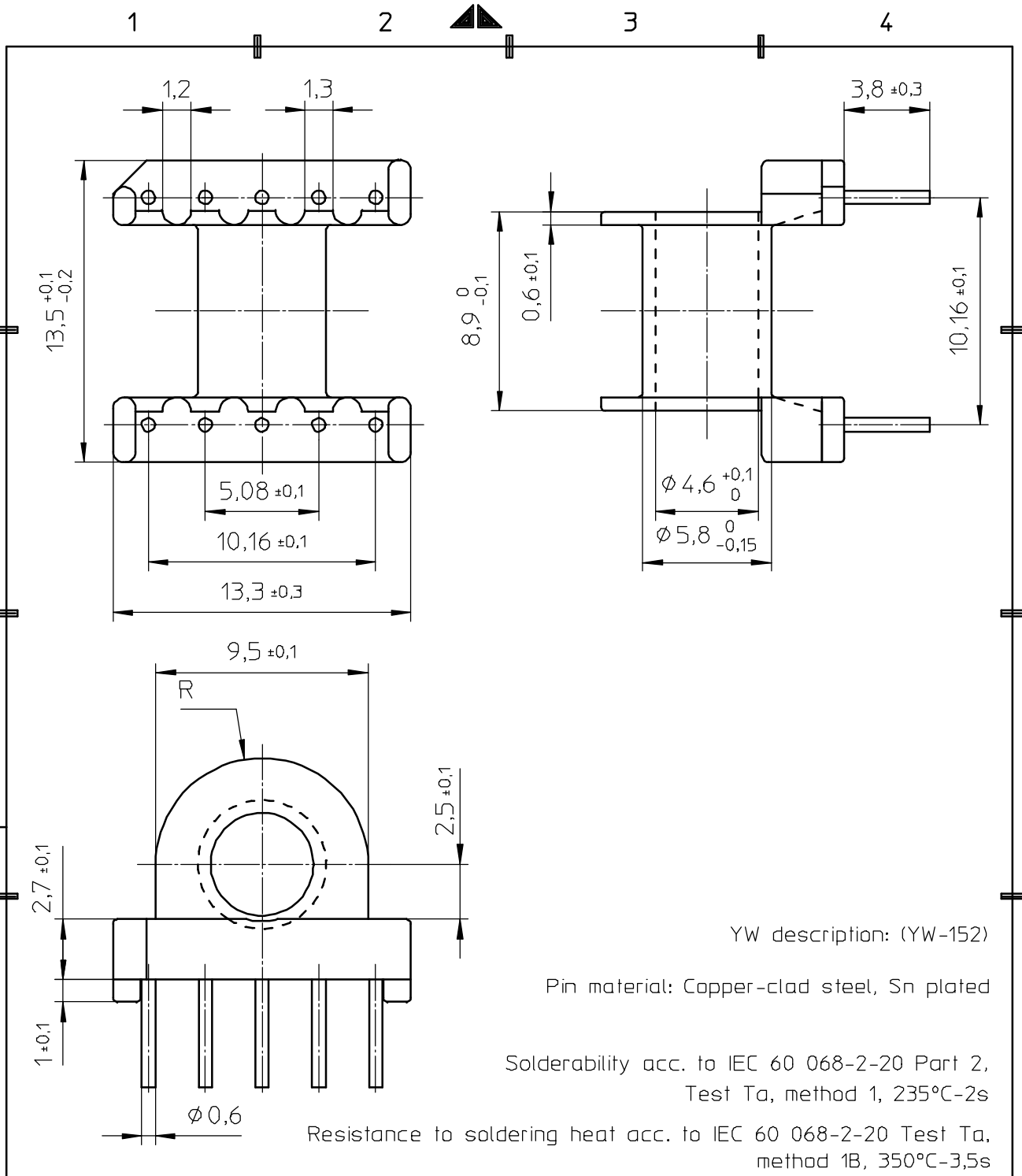
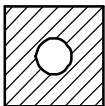
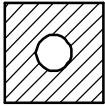


FERROXCUBE



YW description: (YW-152)

Pin material: Copper-clad steel, Sn plated

Solderability acc. to IEC 60 068-2-20 Part 2,
Test Ta, method 1, 235°C-2s

Resistance to soldering heat acc. to IEC 60 068-2-20 Test Ta,
method 1B, 350°C-3,5s

UN-D1041		TOLERANCES UNLESS OTHERWISE STATED TOLERANTIES TENZU ANDERS VERMELD			
		DIMENSION MAAT	ANGLE HDEK	ASSEMBLY NO. SAMENSTELLINGSNR.	QUANT AANTAL
GENERAL ROUGHNESS ALGEMENE RUWHEID	UNIT EENH.	MATERIAL MATERIAAL		PATTERN NO./MODELNR.	
✓	mm	Sumikon PM9820 (PF)			
SCALE SCHAAL	PROJ. EUROP	TREATMENT BEHANDELING		ORDER NO./ORDERNR	QUANT AANTAL
4:1					
CLASSNO.		CSH-EP13-1S-10P		1	04-09-28
				1	04-06-29
96-11-25				1	99-10-06
				1	95-08-25
				1	95-06-30
NAME NAAM	M.Veekens	SUPERS. VERV	001 SH BL	SH BL	110 - 001
MPA	CHECK CONTR.	DATE DAT.	93-12-24	069	A4
		Property of Eigendom van		© FERROXCUBE 2000	