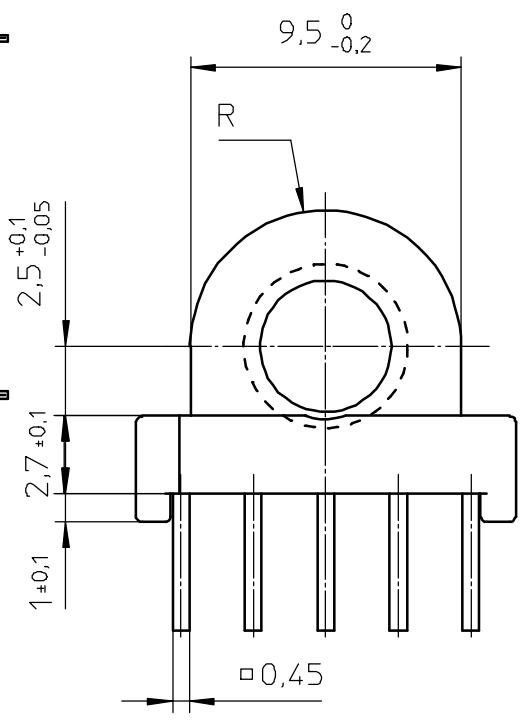
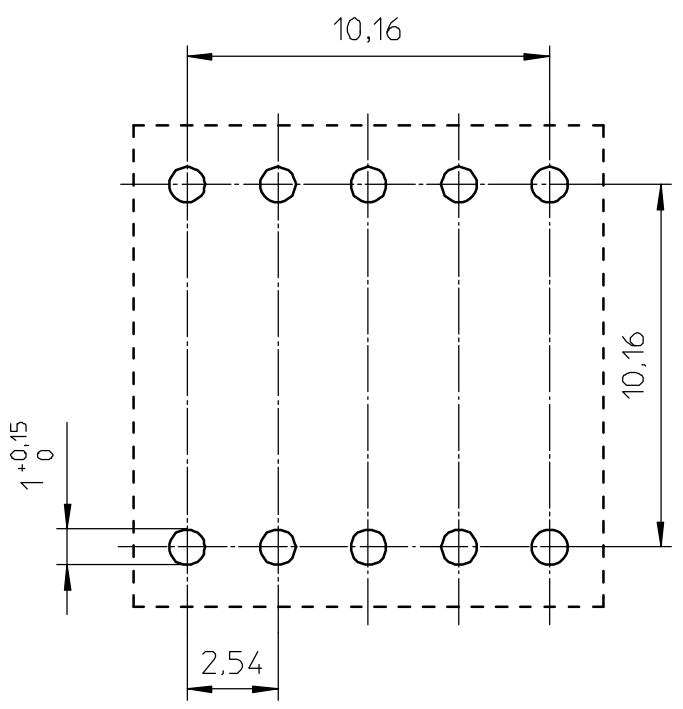


HOLE PATTERN:



Coil former material: Sumikon PM9820 (PF), glass-reinforced.
 UL file number: E41429 - UL94V-0.
 Pin material: Copper-clad steel, Sn plated.
 Max. operating temp.: acc. to IEC 60 085 class H, 180°C.
 Resistance to soldering heat: acc. to IEC 60 068-2-20 Test Ta, method 1B, 350°C-3,5s
 Solderability: acc. to IEC 60 068-2-20 Part 2, Test Ta, method 1, 235°C-2s
 Min. winding area: 13,5 mm².
 Mean length of turn: 23 mm.

CLASS NO.		CSH-EP13-1S-10P-T	4322 021 01601	95-12-07	
				96-04-03	
				99-10-06	
				2004-09-28	
NAME NAAM	M.Veekens	SUPERS. VERV.	1 SH BL	112 - 001 010	A4
MPA	CHECK CONTR.	DAT.	95-12-07	Property of Eigendom van	© FERROXCUBE 2000