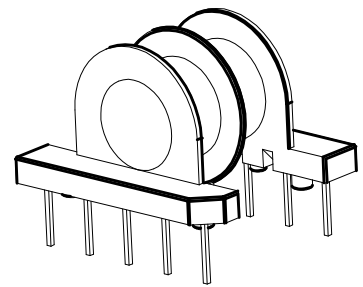
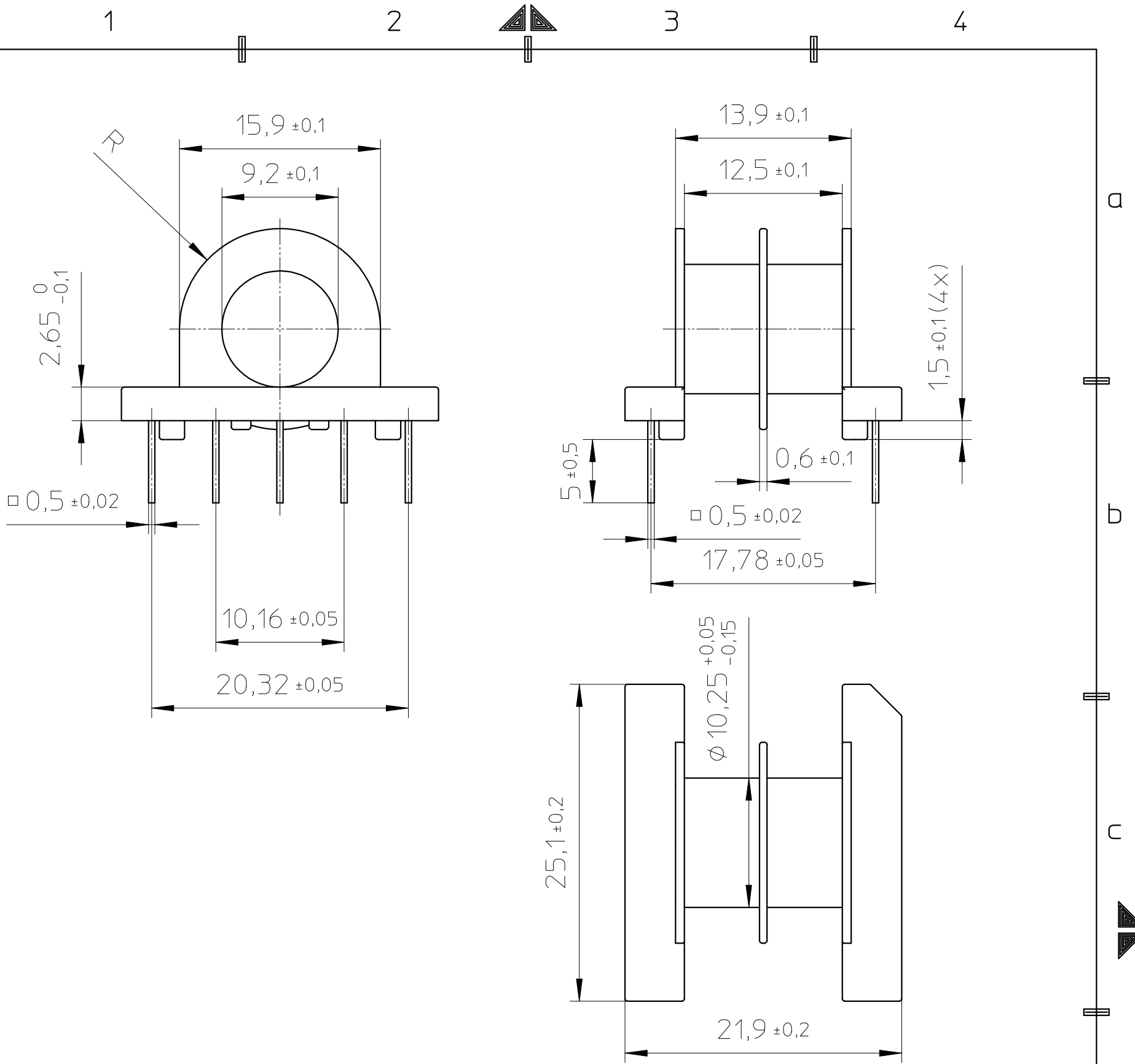
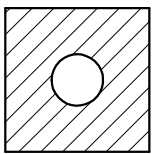
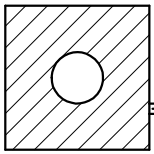


FERROXCUBE



Coil former material: Sumikon PM9820 (PF), glass-reinforced.

UL file number: E41429 - UL94V-0.

Pinmaterial: Copperclad steel, Sn plated.

Max. operating temp: acc to IEC 60 085 class H, 180°C.

Resistance to soldering heat acc. to IEC 60 068-2-20, Part 2, Test Tb, method 1A, 260°C-5s

Solderability acc. to IEC 60 068-2-20, Part 2, Test Ta, method 1, 235°C-2s

Min. winding area: 2*19 mm²

Mean length of turn: 39.4 mm.

CLASS.NO.		CSH-EP20-2S-10P-T		4322 021 0423		1	2002-06-06		
						1	2005-03-11		
NAME NAAM	Tjon	SUPERS. VERV.		1	SH BL	SH BL	112 - 001	010	A4
MPA	CHECK CONTR.	DAT.	02-06-06	Property of Eigendom van		© FERROXCUBE 2000			