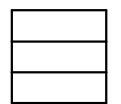
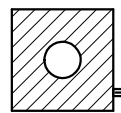
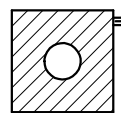
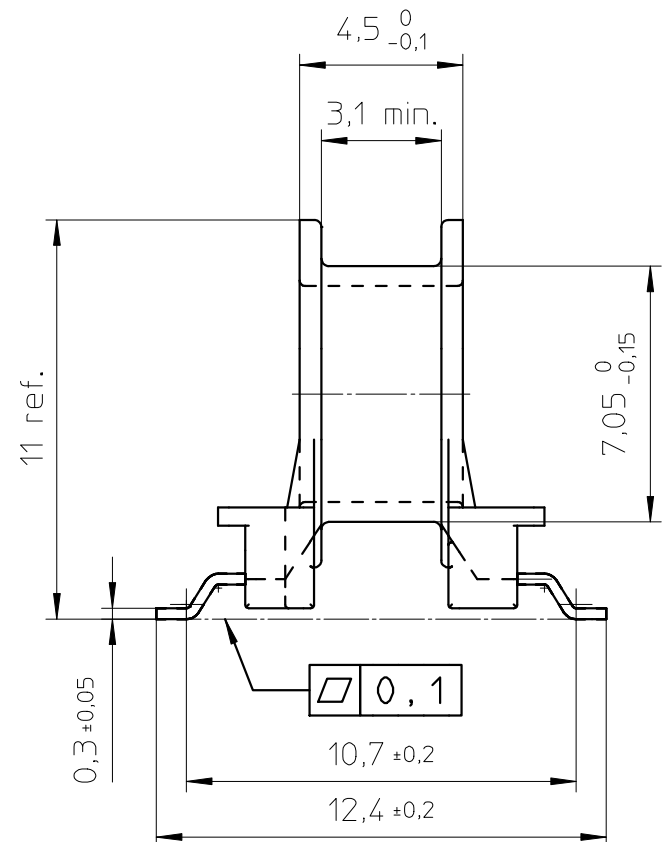
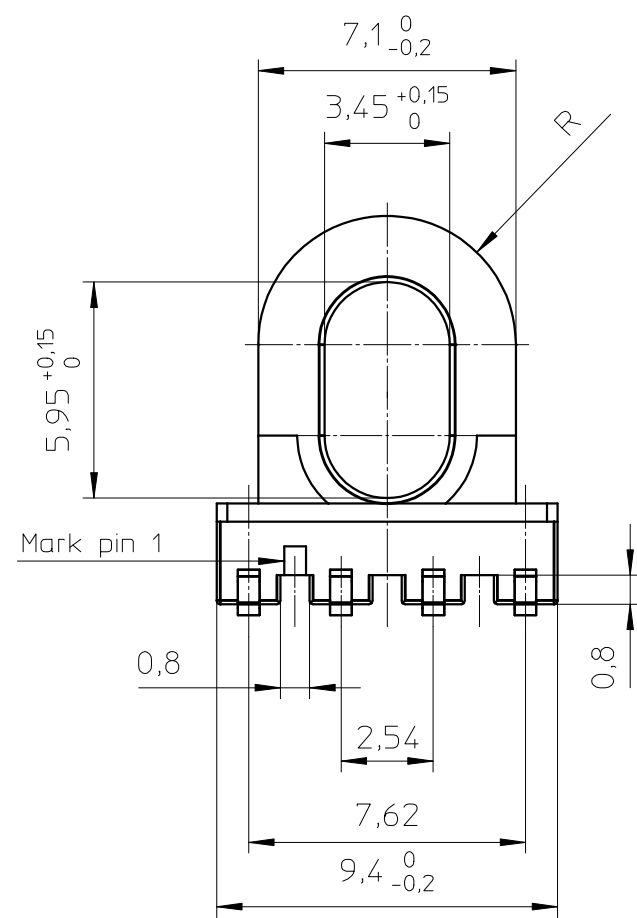
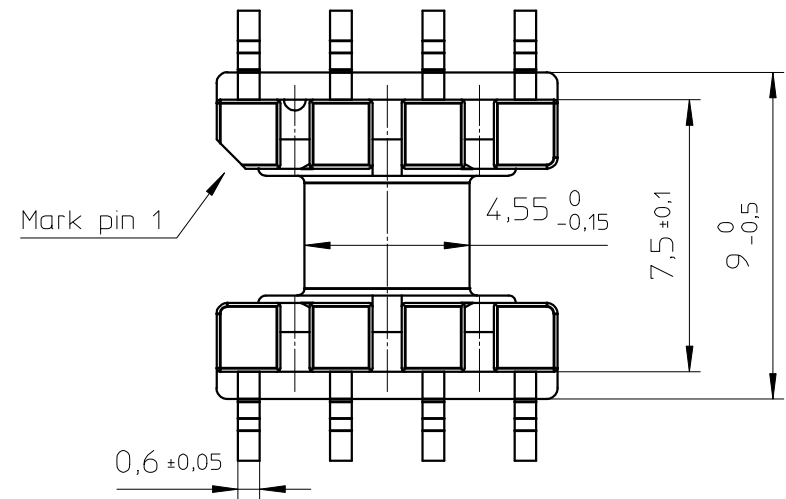


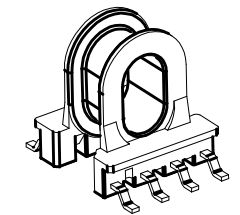
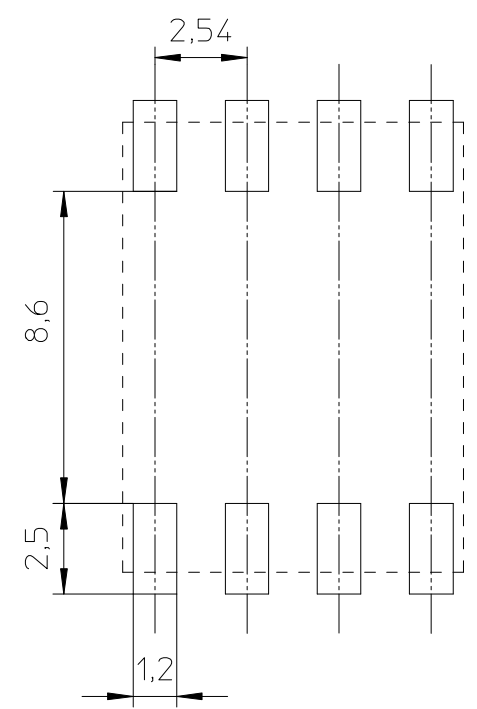
**FERROXCUBE**



1 2 3 4 5 6 7 8



PROPOSED PAD ARRANGEMENT:



Coil former material: Sumikon PM9630 (PF), glass reinforced.  
 UL file number: E41429 - UL94V-0.  
 Pinmaterial: CuSn, Ni flash, Au plated  
 Resistance to soldering heat acc. to IEC60 068-2-20 Part 2, Test Tb, method 1B, 350°C-3,5s  
 Solderability acc. to IEC60 068-2-20 Part 2, Test Ta, method 1, 235°C-2s  
 Min. winding area: 3.64 mm<sup>2</sup>.  
 Mean length of turn: 23.3 mm.

CLASS.NO.	CSHS-EPX7-1S-8P		4322 021 04051	21-02-02
				02-09-27
02-09-27				
NAME NAAM MPA	M.Veekens	SUPERS. VERV.	8222 294 47391	1 SH SH BL BL
CHECK CONTR.		DAT.	21-02-2002	Property of Eigendom van © FERROXCUBE 2000
				112 -001
				A3

1 2 3 4