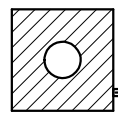
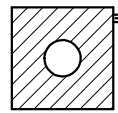
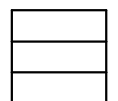


FERROXCUBE



f



1

2

3

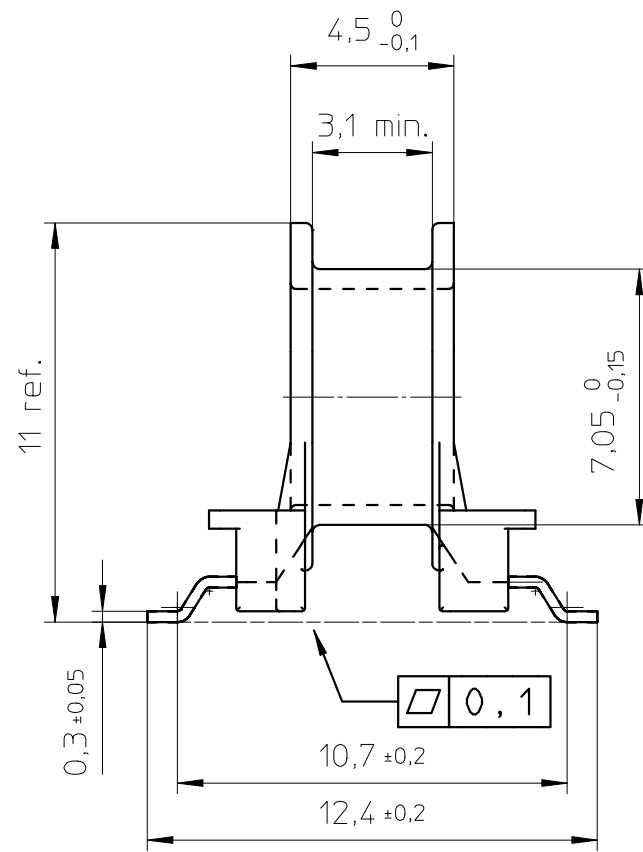
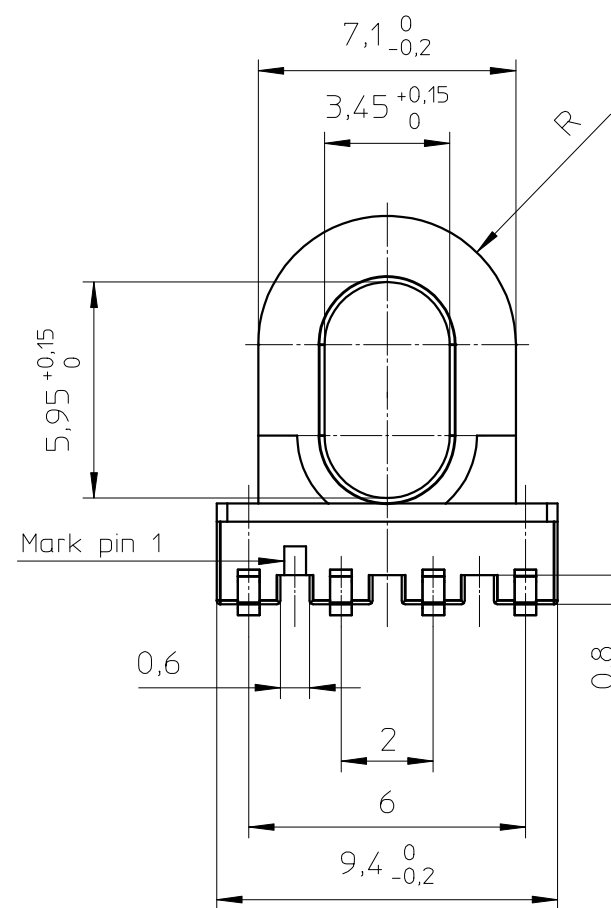
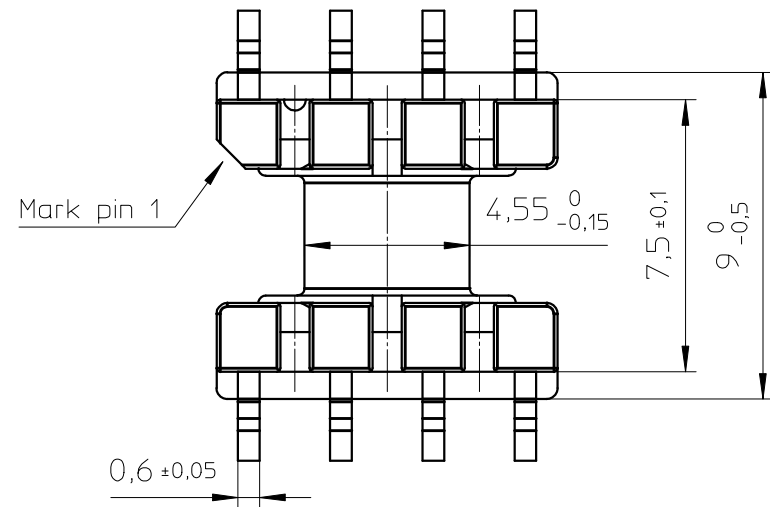
4

5

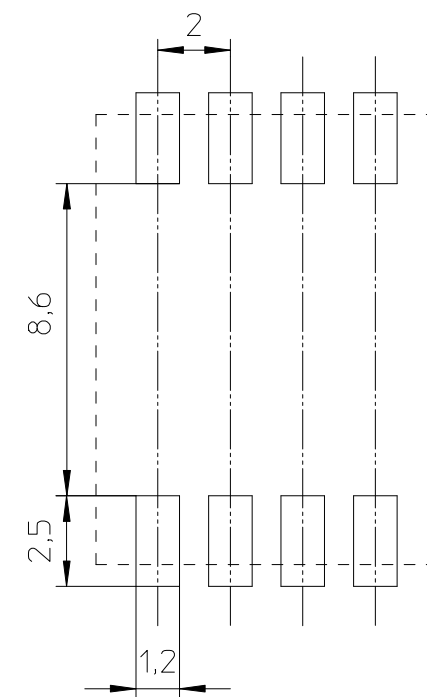
6

7

8



PROPOSED PAD ARRANGEMENT:



Coil former material: Sumikon PM9630 (PF), glass reinforced.

UL file number: E41429 - UL94V-0.

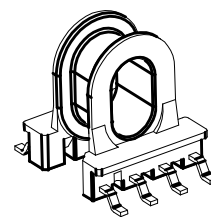
Pinmaterial: CuSn, Ni flash, Au plated

Resistance to soldering heat acc. to IEC60 068-2-20 Part 2, Test Tb, method 1B, 350°C-3,5s

Solderability acc. to IEC60 068-2-20 Part 2, Test Ta, method 1, 235°C-2s

Min. winding area: 3.64 mm².

Mean length of turn: 23.3 mm.



CLASS.NO.			02-05-14
			02-09-27
02-09-27	CSHS-EPX7-1S-8P-T		4322 021 04161
NAME NAAM MPA	M.Veekens	SUPERS. VERV. DAT.	8222 294 47441 14-05-2002
		SH BL.	112 - 001
CHECK CONTR.		Property of Eigendom van	© FERROXCUBE 2000
			A3